



Prices effective February 5, 2018  
Published August 2018

# Renew™ Sit-to-Stand Tables

<b>Introduction</b>	<b>page 2</b>
<b>Renew™ Sit-to-Stand Tables</b>	<b>3</b>
Adjustable-Height Tables	5
Sit-to-Stand Table Bases	39
Power and Data Support	43
Renew™ Link	51
External Cable Manager	86
Live OS <sup>SM</sup>	87
<b>Indices</b>	<b>89</b>
By Name	89
By Number	91
<b>Appendices</b>	
20-Day or Less/Assigned Lead-Time Order Information	
Vary Easy Program	
Stain-to-Match Program	
Customer's Own Material Order Information-Workspaces	
<b>For the latest materials information, refer to the Materials pages on HermanMiller.com.</b>	

# Introduction

## A Note on the Organization of This Book

There are a few signals that will help you understand the organization of this book. Once you know them, you should be able to find your way around easily.

### Like a newspaper, this book is formatted with columns of text and illustrations that run vertically.

Information wraps from one column to the next and continues for as many pages as it needs to.

### Black bars are clues.

A black bar at the top of a page signals the start of information about a product.

This information is divided into two sections, each signaled by a black bar. Product Information includes a description, additional notes, and dimensional drawings. Specification Information, which always begins at the top of a column, includes a series of steps. Each step represents a decision you need to make in order to complete your product number. Steps must be followed sequentially. The number of pages needed to complete information on a product varies; some will be complete in one page; others may fill three or four pages. Just continue going through the steps until you run into the next product, signaled by the black bar at the top of the page.

Black tabs running along the outside edge of the page help you locate what section you are in or what section you want to go to. You can thumb forwards or backwards to find a section; tabs and text appear on both sides of the page.

The additional pages in the back of the book include the appendices and indices. They are signaled by a long black bar running along the outside edge of the page.

### The index is presented two ways.

The first index is in alphabetical order by product name. It can be helpful if you are new to the products and numbering scheme or if you are looking for a type of product, such as work chair or round table.

The second index is by product number. It lists, in alphanumeric order, the base product number, typically a five-digit number.

## General Information

This book is effective February 5, 2018, subject to change without notice. Products may be purchased from authorized Herman Miller dealers who will quote prices upon request. For more information about our products and services or to see a list of dealers, visit [www.HermanMiller.com](http://www.HermanMiller.com).


All prices are list prices. Additional services, such as planning services, design, storage, and installation, are not included and must be added to these prices when the additional services are requested.

Illustrations, specifications, and prices are based on the latest information at the time of publication. The right is reserved to make changes at any time without notice in prices, fabrics, finishes, materials, specifications, and models, and also to discontinue models and finishes.

Dimensions shown in the drawings are engineering drawing dimensions rounded up to the nearest  $\frac{1}{8}$ ". Product is shipped set up or knocked down. Products that include "Shipped knocked down" in the description require some assembly. If this statement does not appear in the description, the product is shipped assembled.

Service problems are normally handled by a Herman Miller authorized dealer. Where this cannot be accomplished on a local level, service problems should be referred to the Customer Care Representative for your region, Herman Miller, Inc., Zeeland, Michigan 49464.

### 20-Day or Less/Assigned Lead-Time Shipments

All products and options in this price book not designated by an Assigned Program icon  will ship in **20 business days or less** after being acknowledged by Herman Miller.

Products and options designated by an  are on the assigned lead-time program and may ship in 20 days, less than 20 days, or more than 20 days from order acknowledgement.

**Adjustable-Height Tables**

**Sit-to-Stand Table Bases**

**Power and Data Support**

**Renew™ Link**

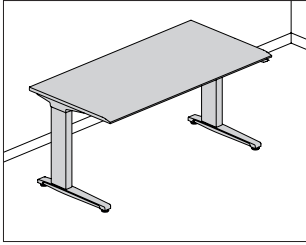
**Renew™ Cable Manager**

**Live OS™ Enhancements**



## Rectangle Table with C-Foot

DU6ACE  
DU6ACS  
DU6ACT



### Product Information

#### Description

This rectangular height-adjustable table has a C-leg configuration, comes in multiple edge styles, and has a laminate top with thermoplastic edge, laminate top with a thermoplastic backed plywood edge, veneer top and edge, or painted Formcoat® top and edge. Power access can be hidden, and there are multiple height adjustment, wire management, and switch options. Glides have 1/2" leveling range.

Shipped knocked down. Electric products are UL Listed.

Floor to top-of-surface height adjustment ranges are 22"-34" for the crank seated (K) option, 27"-46" for the crank sit-to-stand (C) and electric standard range (E) options, and 22"-48" for the electric extended range (D) option.

#### Notes

For additional details on available edge options see Appendices.

Sizes listed for table depth and width are nominal. Depth of surface is reduced 1" for cord management. Width of surface is reduced 2" to minimize possible pinch hazards.

On all tables except front crank (FRT) tables, legs are nearly flush with sides of the surface for maximum knee clearance. Knee clearance is equal to nominal top width less 8". On front crank (FRT) tables, legs are inset approximately 6" on each side to allow for adequate clearance when rotating the crank handle.

Simple cable cover (PSC) is facility installed only.

High density cable trough (PHD) can be accessed by users for daily cord management. High density cable trough (PHD) not available on 36"-wide or 42"-wide tables of any depth.

For crank tables (C or K) with top crank (TOP), crank can be attached above the right or left leg through top of work surface. Requires 6" of clearance from adjacent panel or wall to complete a revolution.

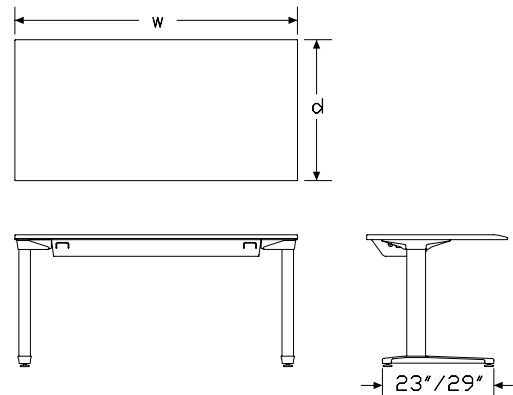
For height adjustment options with crank (C or K), crank finish color is white (g1), with exceptions. For the following top surface finishes, the crank finish is graphite (G1):

- Painted (P) top finishes: CL, LU
- Veneer (W) top finishes: 2U, 40, ED, EV, EK

For additional edge, finish, and cutout options, see Vary Easy Program in appendices.

Cutouts are specifically sized for 5-wide and 6-wide Logic G1000 grommet mounted electrical distributors (Y1425.F, Y1425.G).

### Dimensions



# Rectangle Table with C-Foot

continued

Renew™ Adjustable-Height Tables

Specification Information	
Step 1.	
<b>DU6AC</b>	<input type="checkbox"/> A
Step 2. Edge	
<b>S.</b>	squared-edge <input type="checkbox"/> A
<b>T.</b>	thin-edge <input type="checkbox"/> A
<b>E.</b>	eased-edge <input type="checkbox"/> A
Step 3. Depth	
<b>24</b>	24" deep (23" surface size) <input type="checkbox"/> A
<b>30</b>	30" deep (29" surface size) <input type="checkbox"/> A
Step 4. Width	
<b>36</b>	36" wide (34" surface size) <input type="checkbox"/> A
<b>42</b>	42" wide (40" surface size) <input type="checkbox"/> A
<b>48</b>	48" wide (46" surface size) <input type="checkbox"/> A
<b>54</b>	54" wide (52" surface size) <input type="checkbox"/> A
<b>60</b>	60" wide (58" surface size) <input type="checkbox"/> A
<b>66</b>	66" wide (64" surface size) <input type="checkbox"/> A
<b>72</b>	72" wide (70" surface size) <input type="checkbox"/> A
<b>84</b>	84" wide (82" surface size) <input type="checkbox"/> A
Step 5. Surface Material	
<i>For squared-edge (S.)</i>	
<b>L</b>	laminated top/thermoplastic edge <input type="checkbox"/> A
<b>W</b>	vener top/vener edge <input type="checkbox"/> A
<b>P</b>	painted Formcoat® top/edge <input type="checkbox"/> A
<b>U</b>	laminated top/universal edge <input type="checkbox"/> A
<i>For thin-edge (T.)</i>	
<b>L</b>	laminated top/thermoplastic edge <input type="checkbox"/> A
<b>W</b>	vener top/vener edge <input type="checkbox"/> A
<b>P</b>	painted Formcoat® top/edge <input type="checkbox"/> A
<i>For eased-edge (E.)</i>	
<b>P</b>	painted Formcoat® top/edge <input type="checkbox"/> A
Step 6. Height Adjustment	
<b>C</b>	crank sit-to-stand <input type="checkbox"/> A
<b>K</b>	crank seated <input type="checkbox"/> A
<b>E</b>	electric standard range <input type="checkbox"/> A
<b>D</b>	electric extended range <input type="checkbox"/> A

Prices for Steps 1-6.						
	LC	LK	LE	LD	WC	WK
<b>DU6ACS. 24 36</b>	\$2106	2106	2657	3087	2387	2387
<b>42</b>	\$2148	2148	2736	3137	2435	2435
<b>48</b>	\$2189	2189	2814	3164	2483	2483
<b>54</b>	\$2233	2233	2870	3227	2533	2533
<b>60</b>	\$2276	2276	2954	3229	2584	2584
<b>66</b>	\$2320	2320	3011	3293	2636	2636
<b>72</b>	\$2366	2366	3071	3358	2688	2688
<b>84</b>	\$2412	2412	3131	3424	2742	2742
<b>30 36</b>	\$2169	2169	2892	3139	2460	2460
<b>42</b>	\$2211	2211	2923	3167	2509	2509
<b>48</b>	\$2255	2255	2956	3196	2559	2559
<b>54</b>	\$2298	2298	3014	3259	2610	2610
<b>60</b>	\$2344	2344	3076	3301	2663	2663
<b>66</b>	\$2389	2389	3137	3366	2715	2715
<b>72</b>	\$2437	2437	3198	3432	2770	2770
<b>84</b>	\$2484	2484	3261	3500	2825	2825
	<b>WE</b>	<b>WD</b>	<b>PC</b>	<b>PK</b>	<b>PE</b>	<b>PD</b>
<b>DU6ACS. 24 36</b>	\$3025	3417	2161	2161	2739	3196
<b>42</b>	\$3116	3474	2203	2203	2821	3248
<b>48</b>	\$3209	3506	2248	2248	2904	3277
<b>54</b>	\$3273	3579	2293	2293	2963	3343
<b>60</b>	\$3370	3582	2339	2339	3051	3346
<b>66</b>	\$3438	3656	2385	2385	3111	3412
<b>72</b>	\$3506	3730	2434	2434	3174	3481
<b>84</b>	\$3576	3808	2482	2482	3238	3550
<b>30 36</b>	\$3298	3477	2227	2227	2986	3250
<b>42</b>	\$3335	3509	2271	2271	3018	3279
<b>48</b>	\$3373	3544	2316	2316	3053	3309
<b>54</b>	\$3440	3616	2363	2363	3113	3376
<b>60</b>	\$3511	3665	2410	2410	3179	3420
<b>66</b>	\$3582	3741	2458	2458	3242	3489
<b>72</b>	\$3654	3817	2507	2507	3307	3559
<b>84</b>	\$3726	3896	2558	2558	3373	3629
	<b>UC</b>	<b>UK</b>	<b>UE</b>	<b>UD</b>		
<b>DU6ACS. 24 36</b>	\$2106	2106	2657	3087		
<b>42</b>	\$2148	2148	2736	3137		
<b>48</b>	\$2189	2189	2814	3164		
<b>54</b>	\$2233	2233	2870	3227		
<b>60</b>	\$2276	2276	2954	3229		
<b>66</b>	\$2320	2320	3011	3293		
<b>72</b>	\$2366	2366	3071	3358		
<b>84</b>	\$2412	2412	3131	3424		

# Rectangle Table with C-Foot

continued

<b>30 36</b>			\$2169	2169	2892	3139
<b>42</b>			\$2211	2211	2923	3167
<b>48</b>			\$2255	2255	2956	3196
<b>54</b>			\$2298	2298	3014	3259
<b>60</b>			\$2344	2344	3076	3301
<b>66</b>			\$2389	2389	3137	3366
<b>72</b>			\$2437	2437	3198	3432
<b>84</b>			\$2484	2484	3261	3500
	LC	LK	LE	LD	WC	WK
<b>DU6ACT. 24 36</b>	\$2264	2264	2869	3348	2625	2625
<b>42</b>	\$2308	2308	2956	3402	2678	2678
<b>48</b>	\$2355	2355	3043	3433	2732	2732
<b>54</b>	\$2402	2402	3103	3501	2786	2786
<b>60</b>	\$2450	2450	3196	3504	2842	2842
<b>66</b>	\$2499	2499	3260	3574	2899	2899
<b>72</b>	\$2549	2549	3324	3646	2957	2957
<b>84</b>	\$2600	2600	3391	3718	3015	3015
<b>30 36</b>	\$2333	2333	3128	3405	2705	2705
<b>42</b>	\$2379	2379	3162	3436	2760	2760
<b>48</b>	\$2427	2427	3198	3468	2815	2815
<b>54</b>	\$2475	2475	3262	3537	2871	2871
<b>60</b>	\$2524	2524	3329	3583	2928	2928
<b>66</b>	\$2575	2575	3396	3655	2987	2987
<b>72</b>	\$2626	2626	3465	3727	3047	3047
<b>84</b>	\$2679	2679	3533	3802	3108	3108
	WE	WD	PC	PK	PE	PD
<b>DU6ACT. 24 36</b>	\$3152	3633	2291	2291	2886	3292
<b>42</b>	\$3252	3697	2339	2339	2977	3350
<b>48</b>	\$3353	3732	2387	2387	3069	3382
<b>54</b>	\$3423	3811	2437	2437	3133	3455
<b>60</b>	\$3530	3815	2486	2486	3229	3457
<b>66</b>	\$3604	3896	2538	2538	3296	3530
<b>72</b>	\$3680	3980	2590	2590	3365	3605
<b>84</b>	\$3757	4064	2644	2644	3434	3682
<b>30 36</b>	\$3452	3700	2363	2363	3158	3353
<b>42</b>	\$3491	3734	2412	2412	3194	3384
<b>48</b>	\$3532	3773	2462	2462	3231	3418
<b>54</b>	\$3607	3853	2513	2513	3299	3491
<b>60</b>	\$3686	3906	2565	2565	3370	3540
<b>66</b>	\$3763	3990	2618	2618	3440	3615
<b>72</b>	\$3842	4074	2672	2672	3511	3691
<b>84</b>	\$3922	4161	2727	2727	3584	3770

	WE	WD	PC	PK	PE	PD
<b>DU6ACE. 24 36</b>	—	—	\$2276	2276	2861	3301
<b>42</b>	—	—	\$2323	2323	2952	3359
<b>48</b>	—	—	\$2372	2372	3044	3391
<b>54</b>	—	—	\$2421	2421	3107	3464
<b>60</b>	—	—	\$2471	2471	3204	3466
<b>66</b>	—	—	\$2522	2522	3271	3540
<b>72</b>	—	—	\$2575	2575	3340	3614
<b>84</b>	—	—	\$2629	2629	3409	3691
<b>30 36</b>	—	—	\$2348	2348	3133	3362
<b>42</b>	—	—	\$2397	2397	3169	3393
<b>48</b>	—	—	\$2447	2447	3206	3427
<b>54</b>	—	—	\$2498	2498	3274	3500
<b>60</b>	—	—	\$2550	2550	3345	3549
<b>66</b>	—	—	\$2603	2603	3414	3624
<b>72</b>	—	—	\$2657	2657	3486	3700
<b>84</b>	—	—	\$2712	2712	3559	3779

## Step 7. Hidden Power Access

For electric extended range (D)

**NNP** no power access  +\$0

For crank sit-to-stand (C) or crank seated (K)

**NNP** no power access  +\$0

**PLA** leg access  +\$299

For electric standard range (E)

**NNP** no power access  +\$0

**PLA** leg access  +\$299

## Step 8.

Switch Option

For electric standard range (E) or electric extended range (D) with no power access (NNP), or leg access (PLA)

**SUD** simple up down  +\$0

**SMT** no switch - LO100  +\$0

**SRM** digital read out with memory  +\$160

Renew™ Adjustable-Height Tables

# Rectangle Table with C-Foot

continued

## Switch Option/Crank Location

For 24" deep (23" surface size) (24) or 30" deep (29" surface size) (30) with 48" wide (46" surface size) (48), 54" wide (52" surface size) (54), or 60" wide (58" surface size) (60), or 66" wide (64" surface size) (66), or 72" wide (70" surface size) (72) with crank sit-to-stand (C), or crank seated (K) with no power access (NNP)

<b>FRT</b>	front crank <input type="checkbox"/>	+\$40
<b>TOP</b>	top crank <input type="checkbox"/>	+\$0

## Switch Option/Crank Location

For 24" deep (23" surface size) (24) or 30" deep (29" surface size) (30) with 36" wide (34" surface size) (36), 42" wide (40" surface size) (42), 48" wide (46" surface size) (48), 54" wide (52" surface size) (54), 60" wide (58" surface size) (60), or 66" wide (64" surface size) (66), or 72" wide (70" surface size) (72), or 84" wide (82" surface size) (84) with crank sit-to-stand (C), or crank seated (K) with no power access (NNP), or leg access (PLA)

<b>TOP</b>	top crank <input type="checkbox"/>	+\$0
------------	------------------------------------	------

## Step 9.

## Top/Edge Finish

For veneer top/veneer edge (W)

<b>2U</b>	light brown walnut <input type="checkbox"/>	+\$85
<b>40</b>	dark brown walnut <input type="checkbox"/>	+\$85
<b>A2</b>	white ash <input type="checkbox"/>	+\$85
<b>ED</b>	aged cherry <input type="checkbox"/>	+\$85
<b>EK</b>	medium red walnut <input type="checkbox"/>	+\$85
<b>EW</b>	medium matte walnut <input type="checkbox"/>	+\$85
<b>ET</b>	clear on ash <input type="checkbox"/>	+\$85
<b>EU</b>	oak on ash <input type="checkbox"/>	+\$85
<b>EV</b>	walnut on ash <input type="checkbox"/>	+\$85
<b>OU</b>	walnut <input type="checkbox"/>	+\$85
<b>UL</b>	natural maple <input type="checkbox"/>	+\$85
<b>UX</b>	walnut on cherry <input type="checkbox"/>	+\$85

## Top/Edge Finish

For painted Formcoat® top/edge (P)

<b>8Q</b>	folkstone grey <input type="checkbox"/>	+\$0
<b>91</b>	white <input type="checkbox"/>	+\$0
<b>CL</b>	cool grey neutral <input type="checkbox"/>	+\$0
<b>LU</b>	soft white <input type="checkbox"/>	+\$0
<b>WL</b>	sandstone <input type="checkbox"/>	+\$0
<b>WN</b>	warm grey neutral <input type="checkbox"/>	+\$0

## Top Finish

For laminate top/thermoplastic edge (L) or laminate top/universal edge (U)

<b>76</b>	light brown walnut <input type="checkbox"/>	+\$0
<b>8Q</b>	folkstone grey <input type="checkbox"/>	+\$0
<b>91</b>	white <input type="checkbox"/>	+\$0
<b>98</b>	studio white <input type="checkbox"/>	+\$0
<b>CL</b>	cool grey neutral <input type="checkbox"/>	+\$0
<b>HF</b>	inner tone light <input type="checkbox"/>	+\$0
<b>HM</b>	natural maple <input type="checkbox"/>	+\$0
<b>HP</b>	light anigre <input type="checkbox"/>	+\$0
<b>HT</b>	inner tone <input type="checkbox"/>	+\$0
<b>HX</b>	aged cherry <input type="checkbox"/>	+\$0
<b>HY</b>	walnut on cherry <input type="checkbox"/>	+\$0
<b>LA</b>	light ash <input type="checkbox"/>	+\$0
<b>LBA</b>	clear on ash <input type="checkbox"/>	+\$0
<b>LBR</b>	phantom ecru <input type="checkbox"/>	+\$0
<b>LBS</b>	phantom cocoa <input type="checkbox"/>	+\$0
<b>LBU</b>	medium matte walnut <input type="checkbox"/>	+\$0
<b>LBV</b>	warm grey teak <input type="checkbox"/>	+\$0
<b>LBB</b>	oak on ash <input type="checkbox"/>	+\$0
<b>LBC</b>	walnut on ash <input type="checkbox"/>	+\$0
<b>LBD</b>	dark brown walnut <input type="checkbox"/>	+\$0
<b>LBE</b>	medium red walnut <input type="checkbox"/>	+\$0
<b>LBF</b>	neutral twill <input type="checkbox"/>	+\$0
<b>LBG</b>	sarum twill <input type="checkbox"/>	+\$0
<b>LBH</b>	earthen twill <input type="checkbox"/>	+\$0
<b>LBJ</b>	graphite twill <input type="checkbox"/>	+\$0
<b>LBK</b>	pewter mesh <input type="checkbox"/>	+\$0
<b>LBL</b>	steel mesh <input type="checkbox"/>	+\$0
<b>LBM</b>	crisp linen <input type="checkbox"/>	+\$0
<b>LBN</b>	classic linen <input type="checkbox"/>	+\$0
<b>LBP</b>	casual linen <input type="checkbox"/>	+\$0
<b>LBQ</b>	white twill <input type="checkbox"/>	+\$0
<b>LU</b>	soft white <input type="checkbox"/>	+\$0
<b>WL</b>	sandstone <input type="checkbox"/>	+\$0
<b>WN</b>	warm grey neutral <input type="checkbox"/>	+\$0

## Step 10. Edge Finish

For laminate top/thermoplastic edge (L)

<b>76</b>	light brown walnut <input type="checkbox"/>	+\$0
<b>8Q</b>	folkstone grey <input type="checkbox"/>	+\$0
<b>8Z</b>	neutral grey <input type="checkbox"/>	+\$0
<b>91</b>	white <input type="checkbox"/>	+\$0
<b>98</b>	studio white <input type="checkbox"/>	+\$0
<b>CL</b>	cool grey neutral <input type="checkbox"/>	+\$0



# Rectangle Table with C-Foot

continued

<b>HF</b>	inner tone light <input type="checkbox"/>	+\$0
<b>HM</b>	natural maple <input type="checkbox"/>	+\$0
<b>HP</b>	light anigre <input type="checkbox"/>	+\$0
<b>HT</b>	inner tone <input type="checkbox"/>	+\$0
<b>HX</b>	aged cherry <input type="checkbox"/>	+\$0
<b>HY</b>	walnut on cherry <input type="checkbox"/>	+\$0
<b>LA</b>	light ash <input type="checkbox"/>	+\$0
<b>LBA</b>	clear on ash <input type="checkbox"/>	+\$0
<b>LBR</b>	phantom ecru <input type="checkbox"/>	+\$0
<b>LBS</b>	phantom cocoa <input type="checkbox"/>	+\$0
<b>LBU</b>	medium matte walnut <input type="checkbox"/>	+\$0
<b>LBV</b>	warm grey teak <input type="checkbox"/>	+\$0
<b>LBB</b>	oak on ash <input type="checkbox"/>	+\$0
<b>LBC</b>	walnut on ash <input type="checkbox"/>	+\$0
<b>LBD</b>	dark brown walnut <input type="checkbox"/>	+\$0
<b>LBE</b>	medium red walnut <input type="checkbox"/>	+\$0
<b>LBF</b>	neutral twill <input type="checkbox"/>	+\$0
<b>LBG</b>	sarum twill <input type="checkbox"/>	+\$0
<b>LBH</b>	earthen twill <input type="checkbox"/>	+\$0
<b>LBJ</b>	graphite twill <input type="checkbox"/>	+\$0
<b>LBK</b>	pewter mesh <input type="checkbox"/>	+\$0
<b>LBL</b>	steel mesh <input type="checkbox"/>	+\$0
<b>LBM</b>	crisp linen <input type="checkbox"/>	+\$0
<b>LBN</b>	classic linen <input type="checkbox"/>	+\$0
<b>LBP</b>	casual linen <input type="checkbox"/>	+\$0
<b>LBQ</b>	white twill <input type="checkbox"/>	+\$0
<b>LU</b>	soft white <input type="checkbox"/>	+\$0
<b>WL</b>	sandstone <input type="checkbox"/>	+\$0
<b>WN</b>	warm grey neutral <input type="checkbox"/>	+\$0

For laminate top/universal edge (U)

<b>PLY</b>	plywood edge <input type="checkbox"/>	+\$50
------------	---------------------------------------	-------

## Step 11. Crank Handle Finish

For crank sit-to-stand (C) or crank seated (K)

<b>91</b>	white <input type="checkbox"/>	+\$0
<b>G1</b>	graphite <input type="checkbox"/>	+\$0

## Step 12. Leg/Foot Finish

<b>8Q</b>	folkstone grey leg with folkstone grey foot <input type="checkbox"/>	+\$0
<b>91</b>	white leg with white foot <input type="checkbox"/>	+\$0
<b>98</b>	studio white leg with studio white foot <input type="checkbox"/>	+\$0
<b>G2</b>	graphite satin leg with graphite satin foot <input type="checkbox"/>	+\$0
<b>WL</b>	sandstone leg with sandstone foot <input type="checkbox"/>	+\$0
<b>WN</b>	warm grey neutral leg with warm grey neutral foot <input type="checkbox"/>	+\$0
<b>CN</b>	metallic champagne <input type="checkbox"/>	+\$0
<b>MS</b>	metallic silver leg with metallic silver foot <input type="checkbox"/>	+\$0
<b>LFF</b>	white leg with polished aluminum foot <input type="checkbox"/>	+\$160
<b>LFG</b>	warm grey neutral leg with polished aluminum foot <input type="checkbox"/>	+\$160
<b>LFH</b>	graphite satin leg with polished aluminum foot <input type="checkbox"/>	+\$160
<b>LFJ</b>	metallic silver leg with polished aluminum foot <input type="checkbox"/>	+\$160
<b>LFK</b>	studio white leg with polished aluminum foot <input type="checkbox"/>	+\$0

## Step 13. Cord Cover/Cable Management

For 24" deep (23" surface size) (24) or 30" deep (29" surface size) (30) with 36" wide (34" surface size) (36), 42" wide (40" surface size) (42), 48" wide (46" surface size) (48), 54" wide (52" surface size) (54), 60" wide (58" surface size) (60), or 66" wide (64" surface size) (66), or 72" wide (70" surface size) (72), or 84" wide (82" surface size) (84)

<b>PSC</b>	simple cable <input type="checkbox"/>	+\$0
------------	---------------------------------------	------

For 30" deep (29" surface size) (30) with 48" wide (46" surface size) (48), 54" wide (52" surface size) (54), 60" wide (58" surface size) (60), 66" wide (64" surface size) (66), or 72" wide (70" surface size) (72), or 84" wide (82" surface size) (84)

<b>PSC</b>	simple cable <input type="checkbox"/>	+\$0
<b>PHD</b>	high density cable trough <input type="checkbox"/>	+\$299

## Step 14. Power Access Cutout

<b>NNN</b>	no cutout <input type="checkbox"/>	+\$0
------------	------------------------------------	------

For 30" deep (29" surface size) (30) with 54" wide (52" surface size) (54) with high density cable trough (PHD)

<b>NNN</b>	no cutout <input type="checkbox"/>	+\$0
<b>LAC</b>	left cutout 6 port - Y1425.D/G or Y1420.X <input type="checkbox"/>	+\$45
<b>RAC</b>	right cutout 6 port - Y1425.D/G or Y1420.X <input type="checkbox"/>	+\$45
<b>LC5</b>	left cutout 5 port - Y1425.C/F or Y1420.V <input type="checkbox"/>	+\$45
<b>RC5</b>	right cutout 5 port - Y1425.C/F or Y1420.V <input type="checkbox"/>	+\$45

Renew™ Adjustable-Height Tables

# Rectangle Table with C-Foot

continued

Renew™ Adjustable-Height Tables

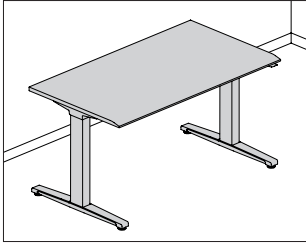
For 30" deep (29" surface size) (30) with 60" wide (58" surface size) (60), 66" wide (64" surface size) (66), or 72" wide (70" surface size) (72), or 84" wide (82" surface size) (84) with high density cable trough (PHD)

<b>CAC</b>	center cutout 6 port - Y1425.D/G or Y1420.X	<input type="checkbox"/> A	+\$45
<b>CC5</b>	center cutout 5 port - Y1425.C/F or Y1420.V	<input type="checkbox"/> A	+\$45
<b>LAC</b>	left cutout 6 port - Y1425.D/G or Y1420.X	<input type="checkbox"/> A	+\$45
<b>LC5</b>	left cutout 5 port - Y1425.C/F or Y1420.V	<input type="checkbox"/> A	+\$45
<b>RAC</b>	right cutout 6 port - Y1425.D/G or Y1420.X	<input type="checkbox"/> A	+\$45
<b>RC5</b>	right cutout 5 port - Y1425.C/F or Y1420.V	<input type="checkbox"/> A	+\$45
<b>NNN</b>	no cutout	<input type="checkbox"/> A	+\$0

Step 15. Casters/Glides			
<b>57</b>	glides	<input type="checkbox"/> A	+\$0

## Rectangle Table with T-Foot

DU6ATE  
DU6ATS  
DU6ATT



### Product Information

#### Description

This rectangular height-adjustable table has a T-leg configuration, comes in multiple edge styles, and has a laminate top with thermoplastic edge, laminate top with a thermoplastic backed plywood edge, veneer top and edge, or painted Formcoat® top and edge. Power access can be hidden, and there are multiple height adjustment, wire management, and switch options. Glides have 1/2" leveling range.

Shipped knocked down. Electric products are UL Listed.

Floor to top-of-surface height adjustment ranges are 22"-34" for the crank seated (K) option, 27"-46" for the crank sit-to-stand (C) and electric standard range (E) options, and 22"-48" for the electric extended range (D) option.

#### Notes

For additional details on available edge options see Appendices.

Sizes listed for table depth and width are nominal. Depth of surface is reduced 1" for cord management. Width of surface is reduced 2" to minimize possible pinch hazards.

On all tables except front crank (FRT) tables, legs are nearly flush with sides of the surface for maximum knee clearance. Knee clearance is equal to nominal top width less 8". On front crank (FRT) tables, legs are inset approximately 6" on each side to allow for adequate clearance when rotating the crank handle.

Simple cable cover (PSC) is facility installed only.

High density cable trough (PHD) can be accessed by users for daily cord management. High density cable trough (PHD) not available on 36"-wide or 42"-wide tables of any depth.

For crank tables (C or K) with top crank (TOP), crank can be attached above the right or left leg through top of work surface. Requires 6" of clearance from adjacent panel or wall to complete a revolution.

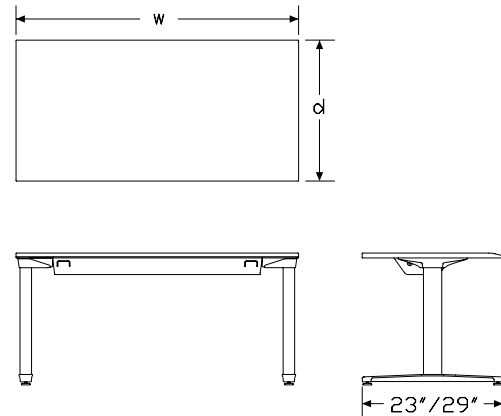
For height adjustment options with crank (C or K), crank finish color is white (g1), with exceptions. For the following top surface finishes, the crank finish is graphite (G1):

- Painted (P) top finishes: CL, LU
- Veneer (W) top finishes: 2U, 40, ED, EV, EK

For additional edge, finish, and cutout options, see Vary Easy Program in appendices.

Cutouts are specifically sized for 5-wide and 6-wide Logic G1000 grommet mounted electrical distributors (Y1425.F, Y1425.G).

### Dimensions



# Rectangle Table with T-Foot

continued

Specification Information	
Step 1.	
<b>DU6AT</b>	<input type="checkbox"/> A
Step 2. Edge	
<b>S.</b>	squared-edge <input type="checkbox"/> A
<b>T.</b>	thin-edge <input type="checkbox"/> A
<b>E.</b>	eased-edge <input type="checkbox"/> A
Step 3. Depth	
<b>30</b>	30" deep (29" surface size) <input type="checkbox"/> A
<b>36</b>	36" deep (35" surface size) <input type="checkbox"/> A
Step 4. Width	
<i>For 30" deep (29" surface size) (30)</i>	
<b>36</b>	36" wide (34" surface size) <input type="checkbox"/> A
<b>42</b>	42" wide (40" surface size) <input type="checkbox"/> A
<b>48</b>	48" wide (46" surface size) <input type="checkbox"/> A
<b>54</b>	54" wide (52" surface size) <input type="checkbox"/> A
<b>60</b>	60" wide (58" surface size) <input type="checkbox"/> A
<b>66</b>	66" wide (64" surface size) <input type="checkbox"/> A
<b>72</b>	72" wide (70" surface size) <input type="checkbox"/> A
<b>84</b>	84" wide (82" surface size) <input type="checkbox"/> A
<i>For 36" deep (35" surface size) (36)</i>	
<b>42</b>	42" wide (40" surface size) <input type="checkbox"/> A
<b>48</b>	48" wide (46" surface size) <input type="checkbox"/> A
<b>54</b>	54" wide (52" surface size) <input type="checkbox"/> A
<b>60</b>	60" wide (58" surface size) <input type="checkbox"/> A
<b>66</b>	66" wide (64" surface size) <input type="checkbox"/> A
<b>72</b>	72" wide (70" surface size) <input type="checkbox"/> A
<b>84</b>	84" wide (82" surface size) <input type="checkbox"/> A
Step 5. Surface Material	
<i>For squared-edge (S.)</i>	
<b>L</b>	laminare top/thermoplastic edge <input type="checkbox"/> A
<b>W</b>	vener top/vener edge <input type="checkbox"/> A
<b>P</b>	painted Formcoat® top/edge <input type="checkbox"/> A
<b>U</b>	laminare top/universal edge <input type="checkbox"/> A
<i>For thin-edge (T.)</i>	
<b>L</b>	laminare top/thermoplastic edge <input type="checkbox"/> A
<b>W</b>	vener top/vener edge <input type="checkbox"/> A
<b>P</b>	painted Formcoat® top/edge <input type="checkbox"/> A

<i>For eased-edge (E.)</i>	
<b>P</b>	painted Formcoat® top/edge <input type="checkbox"/> A
Step 6. Height Adjustment	
<b>C</b>	crank sit-to-stand <input type="checkbox"/> A
<b>K</b>	crank seated <input type="checkbox"/> A
<b>E</b>	electric standard range <input type="checkbox"/> A
<b>D</b>	electric extended range <input type="checkbox"/> A
Prices for Steps 1-6.	
	<b>LC</b> <b>LK</b> <b>LE</b> <b>LD</b> <b>WC</b> <b>WK</b>
<b>DU6ATS. 30 36</b>	\$2169   2169   2892   3139   2605   2605
<b>42</b>	\$2211   2211   2923   3167   2657   2657
<b>48</b>	\$2255   2255   2956   3196   2710   2710
<b>54</b>	\$2298   2298   3014   3259   2764   2764
<b>60</b>	\$2344   2344   3076   3301   2819   2819
<b>66</b>	\$2389   2389   3137   3366   2876   2876
<b>72</b>	\$2437   2437   3198   3432   2934   2934
<b>84</b>	\$2484   2484   3261   3500   2992   2992
<b>36 42</b>	\$2276   2276   3011   3231   2737   2737
<b>48</b>	\$2320   2320   3045   3295   2791   2791
<b>54</b>	\$2366   2366   3105   3361   2848   2848
<b>60</b>	\$2412   2412   3169   3427   2904   2904
<b>66</b>	\$2460   2460   3231   3494   2962   2962
<b>72</b>	\$2508   2508   3294   3564   3021   3021
<b>84</b>	\$2557   2557   3359   3634   3082   3082
	<b>WE</b> <b>WD</b> <b>PC</b> <b>PK</b> <b>PE</b> <b>PD</b>
<b>DU6ATS. 30 36</b>	\$3204   3802   2227   2227   2739   3250
<b>42</b>	\$3300   3836   2271   2271   2820   3279
<b>48</b>	\$3572   3873   2316   2316   3053   3309
<b>54</b>	\$3643   3951   2363   2363   3113   3376
<b>60</b>	\$3718   4001   2410   2410   3179   3420
<b>66</b>	\$3793   4082   2458   2458   3242   3489
<b>72</b>	\$3869   4164   2507   2507   3307   3559
<b>84</b>	\$3947   4247   2558   2558   3373   3629
<b>36 42</b>	\$3300   3916   2339   2339   2997   3348
<b>48</b>	\$3366   3995   2386   2386   3054   3414
<b>54</b>	\$3433   4074   2434   2434   3111   3482
<b>60</b>	\$3502   4156   2482   2482   3170   3553
<b>66</b>	\$3572   4238   2532   2532   3230   3623
<b>72</b>	\$3644   4324   2582   2582   3291   3696
<b>84</b>	\$3716   4410   2635   2635   3354   3770

# Rectangle Table with T-Foot

continued

			UC	UK	UE	UD	
<b>DU6ATS. 30 36</b>			\$2169	2169	2892	3139	
	<b>42</b>		\$2211	2211	2923	3167	
	<b>48</b>		\$2255	2255	2956	3196	
	<b>54</b>		\$2298	2298	3014	3259	
	<b>60</b>		\$2344	2344	3076	3301	
	<b>66</b>		\$2389	2389	3137	3366	
	<b>72</b>		\$2437	2437	3198	3432	
	<b>84</b>		\$2484	2484	3261	3500	
	<b>36 42</b>		\$2276	2276	3011	3231	
	<b>48</b>		\$2320	2320	3045	3295	
	<b>54</b>		\$2366	2366	3105	3361	
	<b>60</b>		\$2412	2412	3169	3427	
	<b>66</b>		\$2460	2460	3231	3494	
	<b>72</b>		\$2508	2508	3294	3564	
	<b>84</b>		\$2557	2557	3359	3634	
		LC	LK	LE	LD	WC	WK
<b>DU6ATT. 30 36</b>		\$2333	2333	2869	3405	2865	2865
	<b>42</b>	\$2379	2379	2955	3436	2922	2922
	<b>48</b>	\$2427	2427	3198	3468	2981	2981
	<b>54</b>	\$2475	2475	3262	3537	3041	3041
	<b>60</b>	\$2524	2524	3329	3583	3101	3101
	<b>66</b>	\$2575	2575	3396	3655	3164	3164
	<b>72</b>	\$2626	2626	3465	3727	3226	3226
	<b>84</b>	\$2679	2679	3533	3802	3291	3291
	<b>36 42</b>	\$2451	2451	2955	3507	3010	3010
	<b>48</b>	\$2499	2499	3014	3577	3071	3071
	<b>54</b>	\$2550	2550	3075	3649	3131	3131
	<b>60</b>	\$2600	2600	3136	3721	3194	3194
	<b>66</b>	\$2653	2653	3199	3796	3259	3259
	<b>72</b>	\$2705	2705	3263	3872	3323	3323
	<b>84</b>	\$2760	2760	3327	3949	3390	3390
		WE	WD	PC	PK	PE	PD
<b>DU6ATT. 30 36</b>		\$3524	4182	2449	2449	3012	3575
	<b>42</b>	\$3630	4219	2498	2498	3103	3607
	<b>48</b>	\$3928	4260	2548	2548	3358	3642
	<b>54</b>	\$4007	4346	2599	2599	3425	3714
	<b>60</b>	\$4091	4401	2651	2651	3496	3763
	<b>66</b>	\$4173	4490	2704	2704	3566	3837
	<b>72</b>	\$4256	4580	2758	2758	3638	3914
	<b>84</b>	\$4340	4672	2813	2813	3710	3992

	<b>36 42</b>	\$3630	4308	2573	2573	3103 3682	
	<b>48</b>	\$3703	4394	2624	2624	3165 3756	
	<b>54</b>	\$3777	4482	2677	2677	3228 3830	
	<b>60</b>	\$3853	4572	2731	2731	3293 3908	
	<b>66</b>	\$3929	4664	2785	2785	3359 3986	
	<b>72</b>	\$4008	4756	2841	2841	3425 4065	
	<b>84</b>	\$4088	4852	2897	2897	3494 4147	
		WE	WD	PC	PK	PE	PD
<b>DU6ATE. 30 36</b>		—	—	\$2373	2373	3158	3325
	<b>42</b>	—	—	\$2422	2422	3194	3357
	<b>48</b>	—	—	\$2472	2472	3231	3391
	<b>54</b>	—	—	\$2523	2523	3299	3464
	<b>60</b>	—	—	\$2575	2575	3370	3512
	<b>66</b>	—	—	\$2629	2629	3440	3588
	<b>72</b>	—	—	\$2682	2682	3511	3664
	<b>84</b>	—	—	\$2738	2738	3584	3743
	<b>36 42</b>	—	—	\$2497	2497	2977	3432
	<b>48</b>	—	—	\$2549	2549	3039	3506
	<b>54</b>	—	—	\$2601	2601	3102	3581
	<b>60</b>	—	—	\$2655	2655	3167	3658
	<b>66</b>	—	—	\$2709	2709	3232	3736
	<b>72</b>	—	—	\$2765	2765	3299	3815
	<b>84</b>	—	—	\$2821	2821	3368	3897

Renew™ Adjustable-Height Tables

**Step 7. Hidden Power Access**

For crank sit-to-stand (C), crank seated (K), or electric standard range (E)

<b>NNP</b>	no power access	<input type="checkbox"/>		+\$0
<b>PLA</b>	leg access	<input type="checkbox"/>		+\$299

For electric extended range (D)

<b>NNP</b>	no power access	<input type="checkbox"/>		+\$0
------------	-----------------	--------------------------	--	------

**Step 8.**

Switch Option

For electric standard range (E) or electric extended range (D) with no power access (NNP), or leg access (PLA)

<b>SUD</b>	simple up down	<input type="checkbox"/>		+\$0
<b>SMT</b>	no switch - LO100	<input type="checkbox"/>		+\$0
<b>SRM</b>	digital read out with memory	<input type="checkbox"/>		+\$160

# Rectangle Table with T-Foot

continued

Renew™ Adjustable-Height Tables

## Switch Option/Crank Location

For 30" deep (29" surface size) (30) with 48" wide (46" surface size) (48), 54" wide (52" surface size) (54), 60" wide (58" surface size) (60), or 66" wide (64" surface size) (66), or 72" wide (70" surface size) (72) with crank sit-to-stand (C), or crank seated (K) with no power access (NNP)

<b>TOP</b>	top crank <input type="checkbox"/>	+\$0
<b>FRT</b>	front crank <input type="checkbox"/>	+\$40

## Switch Option/Crank Location

For 30" deep (29" surface size) (30) or 36" deep (35" surface size) (36) with 36" wide (34" surface size) (36), 42" wide (40" surface size) (42), 48" wide (46" surface size) (48), 54" wide (52" surface size) (54), 60" wide (58" surface size) (60), or 66" wide (64" surface size) (66), or 72" wide (70" surface size) (72), or 84" wide (82" surface size) (84) with crank sit-to-stand (C), or crank seated (K) with no power access (NNP), or leg access (PLA)

<b>TOP</b>	top crank <input type="checkbox"/>	+\$0
------------	------------------------------------	------

## Step 9.

## Top/Edge Finish

For veneer top/veneer edge (W)

<b>2U</b>	light brown walnut <input type="checkbox"/>	+\$85
<b>40</b>	dark brown walnut <input type="checkbox"/>	+\$85
<b>A2</b>	white ash <input type="checkbox"/>	+\$85
<b>ED</b>	aged cherry <input type="checkbox"/>	+\$85
<b>EK</b>	medium red walnut <input type="checkbox"/>	+\$85
<b>EW</b>	medium matte walnut <input type="checkbox"/>	+\$85
<b>ET</b>	clear on ash <input type="checkbox"/>	+\$85
<b>EU</b>	oak on ash <input type="checkbox"/>	+\$85
<b>EV</b>	walnut on ash <input type="checkbox"/>	+\$85
<b>OU</b>	walnut <input type="checkbox"/>	+\$85
<b>UL</b>	natural maple <input type="checkbox"/>	+\$85
<b>UX</b>	walnut on cherry <input type="checkbox"/>	+\$85

## Top/Edge Finish

For painted Formcoat® top/edge (P)

<b>8Q</b>	folkstone grey <input type="checkbox"/>	+\$0
<b>91</b>	white <input type="checkbox"/>	+\$0
<b>CL</b>	cool grey neutral <input type="checkbox"/>	+\$0
<b>LU</b>	soft white <input type="checkbox"/>	+\$0
<b>WL</b>	sandstone <input type="checkbox"/>	+\$0
<b>WN</b>	warm grey neutral <input type="checkbox"/>	+\$0

## Top Finish

For laminate top/thermoplastic edge (L) or laminate top/universal edge (U)

<b>76</b>	light brown walnut <input type="checkbox"/>	+\$0
<b>8Q</b>	folkstone grey <input type="checkbox"/>	+\$0
<b>91</b>	white <input type="checkbox"/>	+\$0
<b>98</b>	studio white <input type="checkbox"/>	+\$0
<b>CL</b>	cool grey neutral <input type="checkbox"/>	+\$0
<b>HF</b>	inner tone light <input type="checkbox"/>	+\$0
<b>HM</b>	natural maple <input type="checkbox"/>	+\$0
<b>HP</b>	light anigre <input type="checkbox"/>	+\$0
<b>HT</b>	inner tone <input type="checkbox"/>	+\$0
<b>HX</b>	aged cherry <input type="checkbox"/>	+\$0
<b>HY</b>	walnut on cherry <input type="checkbox"/>	+\$0
<b>LA</b>	light ash <input type="checkbox"/>	+\$0
<b>LBA</b>	clear on ash <input type="checkbox"/>	+\$0
<b>LBR</b>	phantom ecru <input type="checkbox"/>	+\$0
<b>LBS</b>	phantom cocoa <input type="checkbox"/>	+\$0
<b>LBU</b>	medium matte walnut <input type="checkbox"/>	+\$0
<b>LBV</b>	warm grey teak <input type="checkbox"/>	+\$0
<b>LBB</b>	oak on ash <input type="checkbox"/>	+\$0
<b>LBC</b>	walnut on ash <input type="checkbox"/>	+\$0
<b>LBD</b>	dark brown walnut <input type="checkbox"/>	+\$0
<b>LBE</b>	medium red walnut <input type="checkbox"/>	+\$0
<b>LBF</b>	neutral twill <input type="checkbox"/>	+\$0
<b>LBG</b>	sarum twill <input type="checkbox"/>	+\$0
<b>LBH</b>	earthen twill <input type="checkbox"/>	+\$0
<b>LBJ</b>	graphite twill <input type="checkbox"/>	+\$0
<b>LBK</b>	pewter mesh <input type="checkbox"/>	+\$0
<b>LBL</b>	steel mesh <input type="checkbox"/>	+\$0
<b>LBM</b>	crisp linen <input type="checkbox"/>	+\$0
<b>LBN</b>	classic linen <input type="checkbox"/>	+\$0
<b>LBP</b>	casual linen <input type="checkbox"/>	+\$0
<b>LBQ</b>	white twill <input type="checkbox"/>	+\$0
<b>LU</b>	soft white <input type="checkbox"/>	+\$0
<b>WL</b>	sandstone <input type="checkbox"/>	+\$0
<b>WN</b>	warm grey neutral <input type="checkbox"/>	+\$0

# Rectangle Table with T-Foot

continued

## Step 10. Edge Finish

*For laminate top/thermoplastic edge (L)*

<b>8Q</b>	folkstone grey <input type="checkbox"/>	+\$0
<b>91</b>	white <input type="checkbox"/>	+\$0
<b>98</b>	studio white <input type="checkbox"/>	+\$0
<b>CL</b>	cool grey neutral <input type="checkbox"/>	+\$0
<b>HF</b>	inner tone light <input type="checkbox"/>	+\$0
<b>HM</b>	natural maple <input type="checkbox"/>	+\$0
<b>HP</b>	light anigre <input type="checkbox"/>	+\$0
<b>HT</b>	inner tone <input type="checkbox"/>	+\$0
<b>HX</b>	aged cherry <input type="checkbox"/>	+\$0
<b>HY</b>	walnut on cherry <input type="checkbox"/>	+\$0
<b>LA</b>	light ash <input type="checkbox"/>	+\$0
<b>LBA</b>	clear on ash <input type="checkbox"/>	+\$0
<b>LBR</b>	phantom ecru <input type="checkbox"/>	+\$0
<b>LBS</b>	phantom cocoa <input type="checkbox"/>	+\$0
<b>LBU</b>	medium matte walnut <input type="checkbox"/>	+\$0
<b>LBV</b>	warm grey teak <input type="checkbox"/>	+\$0
<b>LBB</b>	oak on ash <input type="checkbox"/>	+\$0
<b>LBC</b>	walnut on ash <input type="checkbox"/>	+\$0
<b>LBD</b>	dark brown walnut <input type="checkbox"/>	+\$0
<b>LBE</b>	medium red walnut <input type="checkbox"/>	+\$0
<b>LBF</b>	neutral twill <input type="checkbox"/>	+\$0
<b>LBG</b>	sarum twill <input type="checkbox"/>	+\$0
<b>LBH</b>	earthen twill <input type="checkbox"/>	+\$0
<b>LBJ</b>	graphite twill <input type="checkbox"/>	+\$0
<b>LBK</b>	pewter mesh <input type="checkbox"/>	+\$0
<b>LBL</b>	steel mesh <input type="checkbox"/>	+\$0
<b>LBM</b>	crisp linen <input type="checkbox"/>	+\$0
<b>LBN</b>	classic linen <input type="checkbox"/>	+\$0
<b>LBP</b>	casual linen <input type="checkbox"/>	+\$0
<b>LBQ</b>	white twill <input type="checkbox"/>	+\$0
<b>LU</b>	soft white <input type="checkbox"/>	+\$0
<b>WL</b>	sandstone <input type="checkbox"/>	+\$0
<b>WN</b>	warm grey neutral <input type="checkbox"/>	+\$0

*For laminate top/universal edge (U)*

<b>PLY</b>	plywood edge <input type="checkbox"/>	+\$50
------------	---------------------------------------	-------

## Step 11. Crank Handle Finish

*For crank sit-to-stand (C) or crank seated (K)*

<b>91</b>	white <input type="checkbox"/>	+\$0
<b>G1</b>	graphite <input type="checkbox"/>	+\$0

## Step 12. Leg/Foot Finish

<b>8Q</b>	folkstone grey leg with folkstone grey foot <input type="checkbox"/>	+\$0
<b>91</b>	white leg with white foot <input type="checkbox"/>	+\$0
<b>98</b>	studio white leg with studio white foot <input type="checkbox"/>	+\$0
<b>G2</b>	graphite satin leg with graphite satin foot <input type="checkbox"/>	+\$0
<b>WL</b>	sandstone leg with sandstone foot <input type="checkbox"/>	+\$0
<b>WN</b>	warm grey neutral leg with warm grey neutral foot <input type="checkbox"/>	+\$0
<b>CN</b>	metallic champagne <input type="checkbox"/>	+\$0
<b>MS</b>	metallic silver leg with metallic silver foot <input type="checkbox"/>	+\$0
<b>LFF</b>	white leg with polished aluminum foot <input type="checkbox"/>	+\$160
<b>LFG</b>	warm grey neutral leg with polished aluminum foot <input type="checkbox"/>	+\$160
<b>LFH</b>	graphite satin leg with polished aluminum foot <input type="checkbox"/>	+\$160
<b>LFJ</b>	metallic silver leg with polished aluminum foot <input type="checkbox"/>	+\$160
<b>LFK</b>	studio white leg with polished aluminum foot <input type="checkbox"/>	+\$0

## Step 13. Cord Cover/Cable Management

*For 30" deep (29" surface size) (30) or 36" deep (35" surface size) (36) with 36" wide (34" surface size) (36), or 42" wide (40" surface size) (42)*

<b>PSC</b>	simple cable <input type="checkbox"/>	+\$0
------------	---------------------------------------	------

*For 48" wide (46" surface size) (48), 54" wide (52" surface size) (54), 60" wide (58" surface size) (60), 66" wide (64" surface size) (66), 72" wide (70" surface size) (72), or 84" wide (82" surface size) (84)*

<b>PHD</b>	high density cable trough <input type="checkbox"/>	+\$299
<b>PSC</b>	simple cable <input type="checkbox"/>	+\$0

## Step 14. Power Access Cutout

*For 36" wide (34" surface size) (36) or 42" wide (40" surface size) (42)*

<b>NNN</b>	no cutout <input type="checkbox"/>	+\$0
------------	------------------------------------	------

*For 48" wide (46" surface size) (48), 54" wide (52" surface size) (54), 60" wide (58" surface size) (60), 66" wide (64" surface size) (66), 72" wide (70" surface size) (72), or 84" wide (82" surface size) (84)*

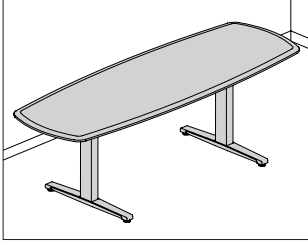
<b>NNN</b>	no cutout <input type="checkbox"/>	+\$0
<b>CAC</b>	center cutout 6 port - Y1425.D/G or Y1420.X <input type="checkbox"/>	+\$45
<b>LAC</b>	left cutout 6 port - Y1425.D/G or Y1420.X <input type="checkbox"/>	+\$45
<b>RAC</b>	right cutout 6 port - Y1425.D/G or Y1420.X <input type="checkbox"/>	+\$45
<b>CC5</b>	center cutout 5 port - Y1425.C/F or Y1420.V <input type="checkbox"/>	+\$45
<b>LC5</b>	left cutout 5 port - Y1425.C/F or Y1420.V <input type="checkbox"/>	+\$45
<b>RC5</b>	right cutout 5 port - Y1425.C/F or Y1420.V <input type="checkbox"/>	+\$45

## Step 15. Casters/Glides

<b>57</b>	glides <input type="checkbox"/>	+\$0
-----------	---------------------------------	------

## Oval Table with T-Foot

DU6DTE  
DU6DTS  
DU6DTT



### Product Information

#### Description

This oval height-adjustable table has a T-leg configuration for maximum access on all sides of the surface, comes in multiple edge styles, and has a laminate top with thermoplastic edge, veneer top and edge, or painted Formcoat® top and edge. Power access can be hidden, and there are multiple height adjustment, wire management, and switch options. Glides have 1/2" leveling range. Shipped knocked down. Electric products are UL Listed.

Floor to top-of-surface height adjustment ranges are 22"-34" for the crank seated (K) option, 27"-46" for the crank sit-to-stand (C) and electric standard range (E) options, and 22"-48" for the electric extended range (D) option.

#### Notes

For additional details on available edge options see Appendices.

Legs are nearly flush with sides of the surface for maximum knee clearance. Knee clearance is equal to nominal top width less 8".

Simple cable cover (PSC) is facility installed only.

High density cable trough (PHD) can be accessed by users for daily cord management. High density cable trough (PHD) not available on 36"-wide or 42"-wide tables of any depth.

For height adjustment options with crank (C or K), crank can be attached above the right or left leg through top of work surface. Requires 6" of clearance from adjacent panel or wall to complete a revolution.

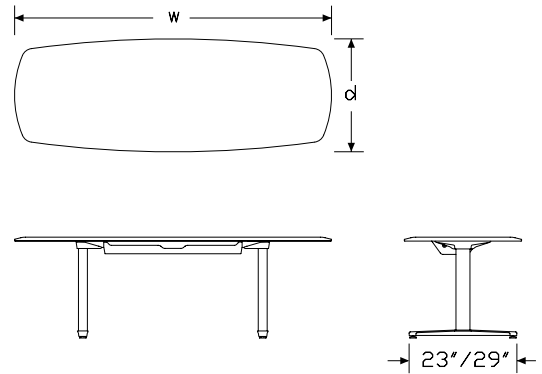
For height adjustment options with crank (C or K), crank finish color is white (91), with exceptions. For the following top surface finishes, the crank finish is graphite (G1):

- Painted (P) top finishes: CL, LU
- Veneer (W) top finishes: 2U, 40, ED, EV, EK

For additional edge, finish, and cutout options, see Vary Easy Program in appendices.

Cutouts are specifically sized for 5-wide and 6-wide Logic G1000 grommet mounted electrical distributors (Y1425.F, Y1425.G).

### Dimensions





Oval Table with T-Foot *continued*

**Specification Information**

Step 1.

**DU6DT** A

Step 2. Edge

- S.** squared-edge A
- T.** thin-edge A
- E.** eased-edge A

Step 3. Depth

- 30** 30" deep (29" surface size) A
- 36** 36" deep (35" surface size) A
- 42** 42" deep (41" surface size) A

Step 4. Width

- 60** 60" wide (58" surface size) A
- 72** 72" wide (70" surface size) A
- 84** 84" wide (82" surface size) A

Step 5. Surface Material

*For squared-edge (S.)*

- L** laminate top/thermoplastic edge A
- W** veneer top/veneer edge A
- P** painted Formcoat® top/edge A

*For thin-edge (T.)*

- L** laminate top/thermoplastic edge A
- W** veneer top/veneer edge A
- P** painted Formcoat® top/edge A

*For eased-edge (E.)*

- P** painted Formcoat® top/edge A

Step 6. Height Adjustment

- C** crank sit-to-stand A
- K** crank seated A
- E** electric standard range A
- D** electric extended range A

Prices for Steps 1-6.

	LC	LK	LE	LD	WC	WK
<b>DU6DTS. 30 60</b>	\$2467	2467	2854	3135	2831	2831
<b>72</b>	\$2516	2516	2912	3198	3006	3006
<b>84</b>	\$2567	2567	2972	3264	3068	3068

<b>36 60</b>	\$2618	2570	3033	3329	3130	3130
<b>72</b>	\$2671	2622	3094	3398	3194	3194
<b>84</b>	\$2723	2675	3157	3466	3258	3258
<b>42 60</b>	\$2777	2729	3219	3535	3323	3323
<b>72</b>	\$2854	2805	3310	3634	3416	3416
<b>84</b>	\$2933	2884	3403	3737	3513	3513

	WE	WD	PC	PK	PE	PD
<b>DU6DTS. 30 60</b>	\$3476	3818	2540	2540	2997	3291
<b>72</b>	\$3548	3895	2592	2592	3058	3358
<b>84</b>	\$3619	3975	2645	2645	3120	3427
<b>36 60</b>	\$3693	4056	2698	2698	3184	3497
<b>72</b>	\$3769	4138	2754	2754	3249	3568
<b>84</b>	\$3845	4221	2808	2808	3314	3640
<b>42 60</b>	\$3921	4306	2865	2865	3380	3712
<b>72</b>	\$4031	4427	2946	2946	3475	3816
<b>84</b>	\$4146	4553	3028	3028	3574	3924

	LC	LK	LE	LD	WC	WK
<b>DU6DTS. 30 60</b>	\$2661	2661	3140	3448	3396	3396
<b>72</b>	\$2715	2715	3203	3518	3607	3607
<b>84</b>	\$2771	2771	3269	3590	3681	3681
<b>36 60</b>	\$2827	2827	3336	3664	3756	3756
<b>72</b>	\$2885	2885	3404	3737	3832	3832
<b>84</b>	\$2943	2943	3472	3812	3909	3909
<b>42 60</b>	\$3001	3001	3542	3889	3988	3988
<b>72</b>	\$3085	3085	3641	3998	4100	4100
<b>84</b>	\$3173	3173	3744	4111	4215	4215

	WE	WD	PC	PK	PE	PD
<b>DU6DTS. 30 60</b>	\$4172	4581	2794	2794	3296	3619
<b>72</b>	\$4257	4674	2851	2851	3364	3694
<b>84</b>	\$4343	4770	2909	2909	3432	3770
<b>36 60</b>	\$4432	4867	2968	2968	3502	3846
<b>72</b>	\$4522	4966	3028	3028	3574	3925
<b>84</b>	\$4613	5066	3089	3089	3646	4003
<b>42 60</b>	\$4705	5167	3152	3152	3718	4083
<b>72</b>	\$4837	5312	3240	3240	3822	4198
<b>84</b>	\$4975	5463	3331	3331	3931	4317

	WE	WD	PC	PK	PE	PD
<b>DU6DTE. 30 60</b>	—	—	\$2794	2794	3296	3619
<b>72</b>	—	—	\$2851	2851	3364	3694
<b>84</b>	—	—	\$2909	2909	3432	3770
<b>36 60</b>	—	—	\$2968	2968	3502	3846
<b>72</b>	—	—	\$3028	3028	3574	3925
<b>84</b>	—	—	\$3089	3089	3646	4003

Oval Table with T-Foot *continued*

Renew™ Adjustable-Height Tables

<b>42 60</b>	—	—	\$3152	3152	3718	4083
<b>72</b>	—	—	\$3240	3240	3822	4198
<b>84</b>	—	—	\$3331	3331	3931	4317

Step 7. Hidden Power Access

*For crank sit-to-stand (C), crank seated (K), or electric standard range (E)*

<b>NNP</b>	no power access	A				+\$0
<b>PLA</b>	leg access	A				+\$299

*For electric extended range (D)*

<b>NNP</b>	no power access	A				+\$0
------------	-----------------	---	--	--	--	------

Step 8. Switch Option

*For electric standard range (E) or electric extended range (D)*

<b>SUD</b>	simple up down	A				+\$0
<b>SMT</b>	no switch - LO100	A				+\$0
<b>SRM</b>	digital read out with memory	A				+\$160

Step 9.

Top Finish

*For laminate top/thermoplastic edge (L)*

<b>76</b>	light brown walnut	A				+\$0
<b>8Q</b>	folkstone grey	A				+\$0
<b>91</b>	white	A				+\$0
<b>98</b>	studio white	A				+\$0
<b>CL</b>	cool grey neutral	A				+\$0
<b>HF</b>	inner tone light	A				+\$0
<b>HM</b>	natural maple	A				+\$0
<b>HP</b>	light anigre	A				+\$0
<b>HT</b>	inner tone	A				+\$0
<b>HX</b>	aged cherry	A				+\$0
<b>HY</b>	walnut on cherry	A				+\$0
<b>LA</b>	light ash	A				+\$0
<b>LBA</b>	clear on ash	A				+\$0
<b>LBR</b>	phantom ecru	A				+\$0
<b>LBS</b>	phantom cocoa	A				+\$0
<b>LBU</b>	medium matte walnut	A				+\$0
<b>LBV</b>	warm grey teak	A				+\$0
<b>LBB</b>	oak on ash	A				+\$0
<b>LBC</b>	walnut on ash	A				+\$0
<b>LBD</b>	dark brown walnut	A				+\$0
<b>LBE</b>	medium red walnut	A				+\$0
<b>LBF</b>	neutral twill	A				+\$0
<b>LBG</b>	sarum twill	A				+\$0
<b>LBH</b>	earthen twill	A				+\$0
<b>LBJ</b>	graphite twill	A				+\$0
<b>LBK</b>	pewter mesh	A				+\$0
<b>LBL</b>	steel mesh	A				+\$0
<b>LBM</b>	crisp linen	A				+\$0
<b>LBN</b>	classic linen	A				+\$0
<b>LBP</b>	casual linen	A				+\$0
<b>LBQ</b>	white twill	A				+\$0
<b>LU</b>	soft white	A				+\$0
<b>WL</b>	sandstone	A				+\$0
<b>WN</b>	warm grey neutral	A				+\$0

Oval Table with T-Foot *continued*

Top/Edge Finish		
<i>For veneer top/veneer edge (W)</i>		
<b>2U</b>	light brown walnut <input type="checkbox"/>	+\$85
<b>40</b>	dark brown walnut <input type="checkbox"/>	+\$85
<b>A2</b>	white ash <input type="checkbox"/>	+\$85
<b>ED</b>	aged cherry <input type="checkbox"/>	+\$85
<b>EK</b>	medium red walnut <input type="checkbox"/>	+\$85
<b>EW</b>	medium matte walnut <input type="checkbox"/>	+\$85
<b>ET</b>	clear on ash <input type="checkbox"/>	+\$85
<b>EU</b>	oak on ash <input type="checkbox"/>	+\$85
<b>EV</b>	walnut on ash <input type="checkbox"/>	+\$85
<b>OU</b>	walnut <input type="checkbox"/>	+\$85
<b>UL</b>	natural maple <input type="checkbox"/>	+\$85
<b>UX</b>	walnut on cherry <input type="checkbox"/>	+\$85

Top/Edge Finish		
<i>For painted Formcoat® top/edge (P)</i>		
<b>8Q</b>	folkstone grey <input type="checkbox"/>	+\$0
<b>91</b>	white <input type="checkbox"/>	+\$0
<b>CL</b>	cool grey neutral <input type="checkbox"/>	+\$0
<b>LU</b>	soft white <input type="checkbox"/>	+\$0
<b>WL</b>	sandstone <input type="checkbox"/>	+\$0
<b>WN</b>	warm grey neutral <input type="checkbox"/>	+\$0

Step 10. Edge Finish		
<i>For laminate top/thermoplastic edge (L)</i>		
<b>76</b>	light brown walnut <input type="checkbox"/>	+\$0
<b>8Q</b>	folkstone grey <input type="checkbox"/>	+\$0
<b>91</b>	white <input type="checkbox"/>	+\$0
<b>98</b>	studio white <input type="checkbox"/>	+\$0
<b>CL</b>	cool grey neutral <input type="checkbox"/>	+\$0
<b>HF</b>	inner tone light <input type="checkbox"/>	+\$0
<b>HM</b>	natural maple <input type="checkbox"/>	+\$0
<b>HP</b>	light anigre <input type="checkbox"/>	+\$0
<b>HT</b>	inner tone <input type="checkbox"/>	+\$0
<b>HX</b>	aged cherry <input type="checkbox"/>	+\$0
<b>HY</b>	walnut on cherry <input type="checkbox"/>	+\$0
<b>LA</b>	light ash <input type="checkbox"/>	+\$0
<b>LBA</b>	clear on ash <input type="checkbox"/>	+\$0
<b>LBR</b>	phantom ecru <input type="checkbox"/>	+\$0
<b>LBS</b>	phantom cocoa <input type="checkbox"/>	+\$0
<b>LBU</b>	medium matte walnut <input type="checkbox"/>	+\$0
<b>LBV</b>	warm grey teak <input type="checkbox"/>	+\$0
<b>LBB</b>	oak on ash <input type="checkbox"/>	+\$0
<b>LBC</b>	walnut on ash <input type="checkbox"/>	+\$0
<b>LBD</b>	dark brown walnut <input type="checkbox"/>	+\$0
<b>LBE</b>	medium red walnut <input type="checkbox"/>	+\$0

<b>LBF</b>	neutral twill <input type="checkbox"/>	+\$0
<b>LBG</b>	sarum twill <input type="checkbox"/>	+\$0
<b>LBH</b>	earthen twill <input type="checkbox"/>	+\$0
<b>LBJ</b>	graphite twill <input type="checkbox"/>	+\$0
<b>LBK</b>	pewter mesh <input type="checkbox"/>	+\$0
<b>LBL</b>	steel mesh <input type="checkbox"/>	+\$0
<b>LBM</b>	crisp linen <input type="checkbox"/>	+\$0
<b>LBN</b>	classic linen <input type="checkbox"/>	+\$0
<b>LBP</b>	casual linen <input type="checkbox"/>	+\$0
<b>LBQ</b>	white twill <input type="checkbox"/>	+\$0
<b>LU</b>	soft white <input type="checkbox"/>	+\$0
<b>WL</b>	sandstone <input type="checkbox"/>	+\$0
<b>WN</b>	warm grey neutral <input type="checkbox"/>	+\$0

Step 11. Crank Handle Finish		
<i>For crank sit-to-stand (C) or crank seated (K)</i>		
<b>91</b>	white <input type="checkbox"/>	+\$0
<b>G1</b>	graphite <input type="checkbox"/>	+\$0

Step 12. Leg/Foot Finish		
<b>8Q</b>	folkstone grey leg with folkstone grey foot <input type="checkbox"/>	+\$0
<b>91</b>	white leg with white foot <input type="checkbox"/>	+\$0
<b>98</b>	studio white leg with studio white foot <input type="checkbox"/>	+\$0
<b>G2</b>	graphite satin leg with graphite satin foot <input type="checkbox"/>	+\$0
<b>WL</b>	sandstone leg with sandstone foot <input type="checkbox"/>	+\$0
<b>WN</b>	warm grey neutral leg with warm grey neutral foot <input type="checkbox"/>	+\$0
<b>CN</b>	metallic champagne <input type="checkbox"/>	+\$0
<b>MS</b>	metallic silver leg with metallic silver foot <input type="checkbox"/>	+\$0
<b>LFF</b>	white leg with polished aluminum foot <input type="checkbox"/>	+\$160
<b>LFG</b>	warm grey neutral leg with polished aluminum foot <input type="checkbox"/>	+\$160
<b>LFH</b>	graphite satin leg with polished aluminum foot <input type="checkbox"/>	+\$160
<b>LFJ</b>	metallic silver leg with polished aluminum foot <input type="checkbox"/>	+\$160
<b>LFK</b>	studio white leg with polished aluminum foot <input type="checkbox"/>	+\$0

Step 13. Cord Cover/Cable Management		
<b>PSC</b>	simple cable <input type="checkbox"/>	+\$0
<b>PHD</b>	high density cable trough <input type="checkbox"/>	+\$299

Step 14. Power Access Cutout		
<i>For simple cable (PSC)</i>		
<b>NNN</b>	no cutout <input type="checkbox"/>	+\$0
<i>For high density cable trough (PHD)</i>		
<b>NNN</b>	no cutout <input type="checkbox"/>	+\$0
<b>CAC</b>	center cutout 6 port - Y1425.D/G or Y1420.X <input type="checkbox"/>	+\$45
<b>CC5</b>	center cutout 5 port - Y1425.C/F or Y1420.V <input type="checkbox"/>	+\$45

Oval Table with T-Foot *continued*

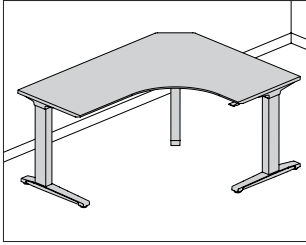
**Renew™ Adjustable-Height Tables**

---

Step 15. Casters/Glides		
57	glides <input type="text" value="A"/>	+\$0

## 90° Extended Corner Table with C-Foot

DU6ECE  
DU6ECS  
DU6ECT



### Product Information

#### Description

This height-adjustable 90° extended corner table has a C-leg configuration, comes in multiple edge styles, and has a laminate top with thermoplastic edge, veneer top and edge, or painted Formcoat® top and edge. Power access can be hidden, and there are multiple height adjustment, wire management, and switch options. Glides have 1/2" leveling range. Shipped knocked down. Electric products are UL Listed. Floor to top-of-surface height adjustment ranges are 22"-34" for the crank seated (K) option, 27"-46" for the crank sit-to-stand (C) and electric standard range (E) options, and 22"-48" for the electric extended range (D) option.

#### Notes

For additional details on available edge options see Appendices.

Sizes listed for table depth and width are nominal. Depth of surface is reduced 1" for cord management. Width of surface is reduced 2" to minimize possible pinch hazards.

Legs are nearly flush with sides of the surface for maximum knee clearance. Knee clearance is equal to nominal top width less 8".

Simple cable cover (PSC) is facility installed only.

High density cable trough (PHD) can be accessed by users for daily cord management. It will be on the extended side of the corner. High density cable trough (PHD) not available on 36"-wide or 42"-wide tables of any depth.

For height adjustment options with crank (C or K), crank can be attached above the right or left leg through top of work surface. Requires 6" of clearance from adjacent panel or wall to complete a revolution.

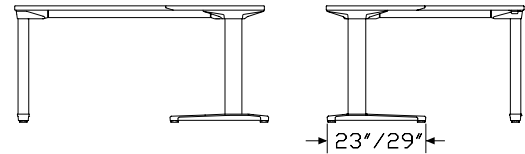
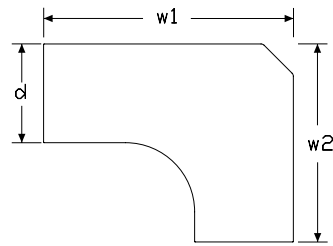
For height adjustment options with crank (C or K), crank finish color is white (g1), with exceptions. For the following top surface finishes, the crank finish is graphite (G1):

- Painted (P) top finishes: CL, LU
- Veneer (W) top finishes: 2U, 40, ED, EV, EK

For additional edge, finish, and cutout options, see Vary Easy Program in appendices.

Cutouts are specifically sized for 5-wide and 6-wide Logic G1000 grommet mounted electrical distributors (Y1425.F, Y1425.G).

### Dimensions



# 90° Extended Corner Table with C-Foot *continued*

## Specification Information

### Step 1.

**DU6EC**  A

### Step 2. Edge

**S.** squared-edge  A

**T.** thin-edge  A

**E.** eased-edge  A

### Step 3. Depth

**24** 24" deep (23" surface size)  A

**30** 30" deep (29" surface size)  A

### Step 4. Width

**4260** 42" wide left x 60" wide right (40" x 58" surface size)  A

**4272** 42" wide left x 72" wide right (40" x 70" surface size)  A

**4860** 48" wide left x 60" wide right (46" x 58" surface size)  A

**4872** 48" wide left x 72" wide right (46" x 70" surface size)  A

**5454** 54" wide left x 54" wide right (52" x 52" surface size)  A

**6042** 60" wide left x 42" wide right (58" x 40" surface size)  A

**6048** 60" wide left x 48" wide right (58" x 46" surface size)  A

**6060** 60" wide left x 60" wide right (58" x 58" surface size)  A

**7242** 72" wide left x 42" wide right (70" x 40" surface size)  A

**7248** 72" wide left x 48" wide right (70" x 46" surface size)  A

### Step 5. Surface Material

#### For squared-edge (S.)

**L** laminate top/thermoplastic edge  A

**W** veneer top/veneer edge  A

**P** painted Formcoat® top/edge  A

#### For thin-edge (T.)

**L** laminate top/thermoplastic edge  A

**W** veneer top/veneer edge  A

**P** painted Formcoat® top/edge  A

#### For eased-edge (E.)

**P** painted Formcoat® top/edge  A

### Step 6. Height Adjustment

**C** crank sit-to-stand  A

**K** crank seated  A

**E** electric standard range  A

**D** electric extended range  A

## Prices for Steps 1-6.

		LC	LK	LE	LD	WC	WK
<b>DU6ECS.</b>	<b>24 4260</b>	\$3621	3621	4747	5075	4464	4464
	<b>4272</b>	\$3685	3685	4834	5169	4553	4553
	<b>4860</b>	\$3751	3751	4922	5266	4644	4644
	<b>4872</b>	\$3817	3817	5013	5364	4737	4737
	<b>5454</b>	\$3737	3737	4998	5020	3988	3988
	<b>6042</b>	\$3621	3621	4747	5075	4464	4464
	<b>6048</b>	\$3751	3751	4922	5266	4644	4644
	<b>6060</b>	\$3805	3805	5092	5115	4070	4070
	<b>7242</b>	\$3685	3685	4834	5169	4553	4553
	<b>7248</b>	\$3817	3817	5013	5364	4737	4737
	<b>30 4260</b>	\$3885	3885	4893	5284	4831	4831
	<b>4272</b>	\$3955	3955	4987	5386	4928	4928
	<b>4860</b>	\$4025	4025	5082	5490	5027	5027
	<b>4872</b>	\$4098	4098	5180	5597	5127	5127
	<b>5454</b>	\$3759	3759	5316	5467	5024	5024
	<b>6042</b>	\$3885	3885	4893	5284	4831	4831
	<b>6048</b>	\$4025	4025	5082	5490	5027	5027
	<b>6060</b>	\$3827	3827	5420	5576	5263	5263
	<b>7242</b>	\$3955	3955	4987	5386	4928	4928
	<b>7248</b>	\$4098	4098	5180	5597	5127	5127
		<b>WE</b>	<b>WD</b>	<b>PC</b>	<b>PK</b>	<b>PE</b>	<b>PD</b>
<b>DU6ECS.</b>	<b>24 4260</b>	\$5562	5544	3849	3849	4973	5151
	<b>4272</b>	\$5682	5676	3925	3925	5077	5266
	<b>4860</b>	\$5805	5810	4003	4003	5183	5381
	<b>4872</b>	\$5930	5947	4084	4084	5291	5499
	<b>5454</b>	\$5032	5783	3574	3574	4702	5201
	<b>6042</b>	\$5562	5544	3849	3849	4973	5151
	<b>6048</b>	\$5805	5810	4003	4003	5183	5381
	<b>6060</b>	\$5144	5813	3647	3647	4803	5300
	<b>7242</b>	\$5682	5676	3925	3907	5077	5266
	<b>7248</b>	\$5930	5947	4084	4084	5291	5499
	<b>30 4260</b>	\$5570	5570	4166	4166	5022	5171
	<b>4272</b>	\$5700	5713	4249	4249	5135	5294
	<b>4860</b>	\$5833	5857	4333	4333	5249	5419
	<b>4872</b>	\$5970	6005	4420	4420	5367	5546
	<b>5454</b>	\$5833	5882	3596	3596	4893	4681
	<b>6042</b>	\$5570	5570	4166	4166	5022	5171
	<b>6048</b>	\$5833	5857	4333	4333	5249	5419
	<b>6060</b>	\$6035	6032	3670	3670	5005	5777
	<b>7242</b>	\$5700	5713	4249	4249	5135	5294
	<b>7248</b>	\$5970	6005	4420	4420	5367	5546

90° Extended Corner Table with  
C-Foot *continued*

	LC	LK	LE	LD	WC	WK
<b>DU6ECT. 24 4260</b>	\$3931	3931	4911	5157	4456	4456
<b>4272</b>	\$4002	4002	5001	5255	4554	4554
<b>4860</b>	\$4074	4074	5093	5355	4654	4654
<b>4872</b>	\$4148	4148	5187	5457	4756	4756
<b>5454</b>	\$4060	4060	5446	5380	3932	3932
<b>6042</b>	\$3931	3931	4911	5157	4456	4456
<b>6048</b>	\$4074	4074	5093	5355	4654	4654
<b>6060</b>	\$4134	4134	5549	5484	4022	4022
<b>7242</b>	\$4002	4002	5001	5255	4554	4554
<b>7248</b>	\$4148	4148	5187	5457	4756	4756
<b>30 4260</b>	\$4020	4020	5080	5317	4532	4532
<b>4272</b>	\$4097	4097	5178	5422	4638	4638
<b>4860</b>	\$4175	4175	5277	5531	4746	4746
<b>4872</b>	\$4254	4254	5379	5641	4858	4858
<b>5454</b>	\$3882	3882	5827	5825	5151	5151
<b>6042</b>	\$4020	4020	5080	5317	4532	4532
<b>6048</b>	\$4175	4175	5277	5531	4746	4746
<b>6060</b>	\$3957	3957	5942	5943	5506	5506
<b>7242</b>	\$4097	4097	5178	5422	4638	4638
<b>7248</b>	\$4254	4254	5379	5641	4858	4858
	WE	WD	PC	PK	PE	PD
<b>DU6ECT. 24 4260</b>	\$5703	5892	3828	3828	5130	5297
<b>4272</b>	\$5828	6028	3913	3913	5238	5415
<b>4860</b>	\$5955	6169	4000	4000	5348	5535
<b>4872</b>	\$6087	6311	4088	4088	5462	5658
<b>5454</b>	\$5483	5757	3527	3527	5144	5574
<b>6042</b>	\$5703	5892	3828	3828	5130	5297
<b>6048</b>	\$5955	6169	4000	4000	5348	5535
<b>6060</b>	\$5606	5894	3607	3607	5256	5682
<b>7242</b>	\$5828	6028	3913	3913	5238	5415
<b>7248</b>	\$6087	6311	4088	4088	5462	5658
<b>30 4260</b>	\$5729	5919	3875	3875	5151	5339
<b>4272</b>	\$5866	6068	3967	3967	5269	5467
<b>4860</b>	\$6004	6218	4060	4060	5388	5597
<b>4872</b>	\$6145	6372	4156	4156	5510	5730
<b>5454</b>	\$6060	6027	3249	3249	5346	5168
<b>6042</b>	\$5729	5919	3875	3875	5151	5339
<b>6048</b>	\$6004	6218	4060	4060	5388	5597
<b>6060</b>	\$6262	6353	3329	3329	5471	5295
<b>7242</b>	\$5866	6068	3967	3967	5269	5467
<b>7248</b>	\$6145	6372	4156	4156	5510	5730

	WE	WD	PC	PK	PE	PD
<b>DU6ECE. 24 4260</b>	—	—	\$3828	3828	5130	5297
<b>4272</b>	—	—	\$3913	3913	5238	5415
<b>4860</b>	—	—	\$4000	4000	5348	5535
<b>4872</b>	—	—	\$4088	4088	5462	5658
<b>5454</b>	—	—	\$3527	3527	5144	4923
<b>6042</b>	—	—	\$3828	3828	5130	5297
<b>6048</b>	—	—	\$4000	4000	5348	5535
<b>6060</b>	—	—	\$3607	3607	5256	5036
<b>7242</b>	—	—	\$3913	3913	5238	5415
<b>7248</b>	—	—	\$4088	4088	5462	5658
<b>30 4260</b>	—	—	\$3875	3875	5151	5339
<b>4272</b>	—	—	\$3967	3967	5269	5467
<b>4860</b>	—	—	\$4060	4060	5388	5597
<b>4872</b>	—	—	\$4156	4156	5510	5730
<b>5454</b>	—	—	\$3249	3249	5346	5168
<b>6042</b>	—	—	\$3875	3875	5151	5339
<b>6048</b>	—	—	\$4060	4060	5388	5597
<b>6060</b>	—	—	\$3329	3329	5471	5295
<b>7242</b>	—	—	\$3967	3967	5269	5467
<b>7248</b>	—	—	\$4156	4156	5510	5730

Step 7. Hidden Power Access

*For crank sit-to-stand (C), crank seated (K), or electric standard range (E)*

<b>NNP</b>	no power access	[A]	+\$0
<b>PLA</b>	leg access	[A]	+\$299

*For electric extended range (D)*

<b>NNP</b>	no power access	[A]	+\$0
------------	-----------------	-----	------

Step 8. Switch Option

*For electric standard range (E) or electric extended range (D)*

<b>SUD</b>	simple up down	[A]	+\$0
<b>SMT</b>	no switch - LO100	[A]	+\$0
<b>SRM</b>	digital read out with memory	[A]	+\$160

Renew™ Adjustable-Height Tables

90° Extended Corner Table with  
C-Foot *continued*

Step 9.

Top Finish

*For laminate top/thermoplastic edge (L)*

<b>76</b>	light brown walnut <input type="checkbox"/>	+\$0
<b>8Q</b>	folkstone grey <input type="checkbox"/>	+\$0
<b>91</b>	white <input type="checkbox"/>	+\$0
<b>98</b>	studio white <input type="checkbox"/>	+\$0
<b>CL</b>	cool grey neutral <input type="checkbox"/>	+\$0
<b>HF</b>	inner tone light <input type="checkbox"/>	+\$0
<b>HM</b>	natural maple <input type="checkbox"/>	+\$0
<b>HP</b>	light anigre <input type="checkbox"/>	+\$0
<b>HT</b>	inner tone <input type="checkbox"/>	+\$0
<b>HX</b>	aged cherry <input type="checkbox"/>	+\$0
<b>HY</b>	walnut on cherry <input type="checkbox"/>	+\$0
<b>LA</b>	light ash <input type="checkbox"/>	+\$0
<b>LBA</b>	clear on ash <input type="checkbox"/>	+\$0
<b>LBR</b>	phantom ecru <input type="checkbox"/>	+\$0
<b>LBS</b>	phantom cocoa <input type="checkbox"/>	+\$0
<b>LBU</b>	medium matte walnut <input type="checkbox"/>	+\$0
<b>LBV</b>	warm grey teak <input type="checkbox"/>	+\$0
<b>LBB</b>	oak on ash <input type="checkbox"/>	+\$0
<b>LBC</b>	walnut on ash <input type="checkbox"/>	+\$0
<b>LBD</b>	dark brown walnut <input type="checkbox"/>	+\$0
<b>LBE</b>	medium red walnut <input type="checkbox"/>	+\$0
<b>LBF</b>	neutral twill <input type="checkbox"/>	+\$0
<b>LBG</b>	sarum twill <input type="checkbox"/>	+\$0
<b>LBH</b>	earthen twill <input type="checkbox"/>	+\$0
<b>LBJ</b>	graphite twill <input type="checkbox"/>	+\$0
<b>LBK</b>	pewter mesh <input type="checkbox"/>	+\$0
<b>LBL</b>	steel mesh <input type="checkbox"/>	+\$0
<b>LBM</b>	crisp linen <input type="checkbox"/>	+\$0
<b>LBN</b>	classic linen <input type="checkbox"/>	+\$0
<b>LBP</b>	casual linen <input type="checkbox"/>	+\$0
<b>LBQ</b>	white twill <input type="checkbox"/>	+\$0
<b>LU</b>	soft white <input type="checkbox"/>	+\$0
<b>WL</b>	sandstone <input type="checkbox"/>	+\$0
<b>WN</b>	warm grey neutral <input type="checkbox"/>	+\$0

Top/Edge Finish

*For veneer top/veneer edge (W)*

<b>2U</b>	light brown walnut <input type="checkbox"/>	+\$85
<b>40</b>	dark brown walnut <input type="checkbox"/>	+\$85
<b>A2</b>	white ash <input type="checkbox"/>	+\$85
<b>ED</b>	aged cherry <input type="checkbox"/>	+\$85
<b>EK</b>	medium red walnut <input type="checkbox"/>	+\$85
<b>EW</b>	medium matte walnut <input type="checkbox"/>	+\$85
<b>ET</b>	clear on ash <input type="checkbox"/>	+\$85
<b>EU</b>	oak on ash <input type="checkbox"/>	+\$85
<b>EV</b>	walnut on ash <input type="checkbox"/>	+\$85
<b>OU</b>	walnut <input type="checkbox"/>	+\$85
<b>UL</b>	natural maple <input type="checkbox"/>	+\$85
<b>UX</b>	walnut on cherry <input type="checkbox"/>	+\$85

Top/Edge Finish

*For painted Formcoat® top/edge (P)*

<b>8Q</b>	folkstone grey <input type="checkbox"/>	+\$0
<b>91</b>	white <input type="checkbox"/>	+\$0
<b>CL</b>	cool grey neutral <input type="checkbox"/>	+\$0
<b>LU</b>	soft white <input type="checkbox"/>	+\$0
<b>WL</b>	sandstone <input type="checkbox"/>	+\$0
<b>WN</b>	warm grey neutral <input type="checkbox"/>	+\$0

Step 10. Edge Finish

*For laminate top/thermoplastic edge (L)*

<b>76</b>	light brown walnut <input type="checkbox"/>	+\$0
<b>8Q</b>	folkstone grey <input type="checkbox"/>	+\$0
<b>91</b>	white <input type="checkbox"/>	+\$0
<b>98</b>	studio white <input type="checkbox"/>	+\$0
<b>CL</b>	cool grey neutral <input type="checkbox"/>	+\$0
<b>HF</b>	inner tone light <input type="checkbox"/>	+\$0
<b>HM</b>	natural maple <input type="checkbox"/>	+\$0
<b>HP</b>	light anigre <input type="checkbox"/>	+\$0
<b>HT</b>	inner tone <input type="checkbox"/>	+\$0
<b>HX</b>	aged cherry <input type="checkbox"/>	+\$0
<b>HY</b>	walnut on cherry <input type="checkbox"/>	+\$0
<b>LA</b>	light ash <input type="checkbox"/>	+\$0
<b>LBA</b>	clear on ash <input type="checkbox"/>	+\$0
<b>LBR</b>	phantom ecru <input type="checkbox"/>	+\$0
<b>LBS</b>	phantom cocoa <input type="checkbox"/>	+\$0
<b>LBU</b>	medium matte walnut <input type="checkbox"/>	+\$0
<b>LBV</b>	warm grey teak <input type="checkbox"/>	+\$0
<b>LBB</b>	oak on ash <input type="checkbox"/>	+\$0
<b>LBC</b>	walnut on ash <input type="checkbox"/>	+\$0
<b>LBD</b>	dark brown walnut <input type="checkbox"/>	+\$0
<b>LBE</b>	medium red walnut <input type="checkbox"/>	+\$0



90° Extended Corner Table with  
C-Foot *continued*

<b>LBF</b>	neutral twill <span style="border: 1px solid black; padding: 0 2px;">A</span>	+\$0
<b>LBG</b>	sarum twill <span style="border: 1px solid black; padding: 0 2px;">A</span>	+\$0
<b>LBH</b>	earthen twill <span style="border: 1px solid black; padding: 0 2px;">A</span>	+\$0
<b>LBJ</b>	graphite twill <span style="border: 1px solid black; padding: 0 2px;">A</span>	+\$0
<b>LBK</b>	pewter mesh <span style="border: 1px solid black; padding: 0 2px;">A</span>	+\$0
<b>LBL</b>	steel mesh <span style="border: 1px solid black; padding: 0 2px;">A</span>	+\$0
<b>LBM</b>	crisp linen <span style="border: 1px solid black; padding: 0 2px;">A</span>	+\$0
<b>LBN</b>	classic linen <span style="border: 1px solid black; padding: 0 2px;">A</span>	+\$0
<b>LBP</b>	casual linen <span style="border: 1px solid black; padding: 0 2px;">A</span>	+\$0
<b>LBQ</b>	white twill <span style="border: 1px solid black; padding: 0 2px;">A</span>	+\$0
<b>LU</b>	soft white <span style="border: 1px solid black; padding: 0 2px;">A</span>	+\$0
<b>WL</b>	sandstone <span style="border: 1px solid black; padding: 0 2px;">A</span>	+\$0
<b>WN</b>	warm grey neutral <span style="border: 1px solid black; padding: 0 2px;">A</span>	+\$0

**Step 11. Crank Handle Finish**

*For crank sit-to-stand (C) or crank seated (K)*

<b>91</b>	white <span style="border: 1px solid black; padding: 0 2px;">A</span>	+\$0
<b>G1</b>	graphite <span style="border: 1px solid black; padding: 0 2px;">A</span>	+\$0

**Step 12. Leg/Foot Finish**

<b>8Q</b>	folkstone grey leg with folkstone grey foot <span style="border: 1px solid black; padding: 0 2px;">A</span>	+\$0
<b>91</b>	white leg with white foot <span style="border: 1px solid black; padding: 0 2px;">A</span>	+\$0
<b>98</b>	studio white leg with studio white foot <span style="border: 1px solid black; padding: 0 2px;">A</span>	+\$0
<b>G2</b>	graphite satin leg with graphite satin foot <span style="border: 1px solid black; padding: 0 2px;">A</span>	+\$0
<b>WL</b>	sandstone leg with sandstone foot <span style="border: 1px solid black; padding: 0 2px;">A</span>	+\$0
<b>WN</b>	warm grey neutral leg with warm grey neutral foot <span style="border: 1px solid black; padding: 0 2px;">A</span>	+\$0
<b>CN</b>	metallic champagne <span style="border: 1px solid black; padding: 0 2px;">A</span>	+\$0
<b>MS</b>	metallic silver leg with metallic silver foot <span style="border: 1px solid black; padding: 0 2px;">A</span>	+\$0
<b>LFF</b>	white leg with polished aluminum foot <span style="border: 1px solid black; padding: 0 2px;">A</span>	+\$160
<b>LFG</b>	warm grey neutral leg with polished aluminum foot <span style="border: 1px solid black; padding: 0 2px;">A</span>	+\$160
<b>LFH</b>	graphite satin leg with polished aluminum foot <span style="border: 1px solid black; padding: 0 2px;">A</span>	+\$160
<b>LFJ</b>	metallic silver leg with polished aluminum foot <span style="border: 1px solid black; padding: 0 2px;">A</span>	+\$160
<b>LFK</b>	studio white leg with polished aluminum foot <span style="border: 1px solid black; padding: 0 2px;">A</span>	+\$0

**Step 13. Cord Cover/Cable Management**

*For 24" deep (23" surface size) (24)*

<b>PSC</b>	simple cable <span style="border: 1px solid black; padding: 0 2px;">A</span>	+\$0
------------	--	------

*For 30" deep (29" surface size) (30)*

<b>PSC</b>	simple cable <span style="border: 1px solid black; padding: 0 2px;">A</span>	+\$0
<b>PHD</b>	high density cable trough <span style="border: 1px solid black; padding: 0 2px;">A</span>	+\$299

**Step 14. Power Access Cutout**

*For 24" deep (23" surface size) (24) or 30" deep (29" surface size) (30) with simple cable (PSC)*

<b>NNN</b>	no cutout <span style="border: 1px solid black; padding: 0 2px;">A</span>	+\$0
------------	---	------

*For 30" deep (29" surface size) (30) with 42" wide left x 60" wide right (40" x 58" surface size) (4260), 42" wide left x 72" wide right (40" x 70" surface size) (4272), 48" wide left x 60" wide right (46" x 58" surface size) (4860), 48" wide left x 72" wide right (46" x 70" surface size) (4872), 60" wide left x 42" wide right (58" x 40" surface size) (6042), 60" wide left x 48" wide right (58" x 46" surface size) (6048), or 72" wide left x 42" wide right (70" x 40" surface size) (7242), or 72" wide left x 48" wide right (70" x 46" surface size) (7248) with high density cable trough (PHD)*

<b>NNN</b>	no cutout <span style="border: 1px solid black; padding: 0 2px;">A</span>	+\$0
<b>LAC</b>	left cutout 6 port - Y1425.D/G or Y1420.X <span style="border: 1px solid black; padding: 0 2px;">A</span>	+\$45
<b>RAC</b>	right cutout 6 port - Y1425.D/G or Y1420.X <span style="border: 1px solid black; padding: 0 2px;">A</span>	+\$45
<b>LC5</b>	left cutout 5 port - Y1425.C/F or Y1420.V <span style="border: 1px solid black; padding: 0 2px;">A</span>	+\$45
<b>RC5</b>	right cutout 5 port - Y1425.C/F or Y1420.V <span style="border: 1px solid black; padding: 0 2px;">A</span>	+\$45
<b>CAC</b>	center cutout 6 port - Y1425.D/G or Y1420.X <span style="border: 1px solid black; padding: 0 2px;">A</span>	+\$45
<b>CC5</b>	center cutout 5 port - Y1425.C/F or Y1420.V <span style="border: 1px solid black; padding: 0 2px;">A</span>	+\$45

*For 30" deep (29" surface size) (30) with 54" wide left x 54" wide right (52" x 52" surface size) (5454), or 60" wide left x 60" wide right (58" x 58" surface size) (6060) with high density cable trough (PHD)*

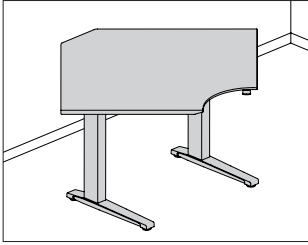
<b>NNN</b>	no cutout <span style="border: 1px solid black; padding: 0 2px;">A</span>	+\$0
<b>LAC</b>	left cutout 6 port - Y1425.D/G or Y1420.X <span style="border: 1px solid black; padding: 0 2px;">A</span>	+\$45
<b>RAC</b>	right cutout 6 port - Y1425.D/G or Y1420.X <span style="border: 1px solid black; padding: 0 2px;">A</span>	+\$45
<b>LC5</b>	left cutout 5 port - Y1425.C/F or Y1420.V <span style="border: 1px solid black; padding: 0 2px;">A</span>	+\$45
<b>RC5</b>	right cutout 5 port - Y1425.C/F or Y1420.V <span style="border: 1px solid black; padding: 0 2px;">A</span>	+\$45

**Step 15. Casters/Glides**

<b>57</b>	glides <span style="border: 1px solid black; padding: 0 2px;">A</span>	+\$0
-----------	--	------

## 90° Corner Table with C-Foot

DU6FCE  
DU6FCS  
DU6FCT



### Product Information

#### Description

This height-adjustable 90° corner table has a C-Leg configuration, comes in multiple edge styles, and has a laminate top with thermoplastic edge, veneer top and edge, or painted Formcoat® top and edge. Power access can be hidden, and there are multiple height adjustment, wire management, and switch options. Glides have 1/2" leveling range. Shipped knocked down. Electric products are UL Listed. Floor to top-of-surface height adjustment ranges are 22"-34" for the crank seated (K) option, 27"-46" for the crank sit-to-stand (C) and electric standard range (E) options, and 22"-48" for the electric extended range (D) option.

#### Notes

For additional details on available edge options see Appendices.

Sizes listed for table depth and width are nominal. Depth of surface is reduced 1" for cord management. Width of surface is reduced 2" to minimize possible pinch hazards.

Legs are nearly flush with sides of the surface for maximum knee clearance. Knee clearance is equal to nominal top width less 8".

Simple cable cover (PSC) is facility installed only.

High density cable trough (PHD) can be accessed by users for daily cord management. High density cable trough (PHD) not available on 36"-wide or 42"-wide tables of any depth.

For height adjustment options with crank (C or K), crank can be attached above the right or left leg through top of work surface. Requires 6" of clearance from adjacent panel or wall to complete a revolution.

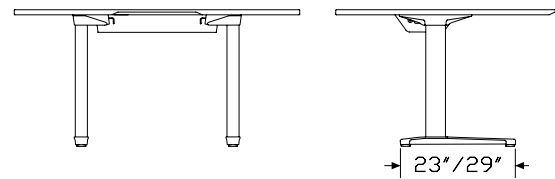
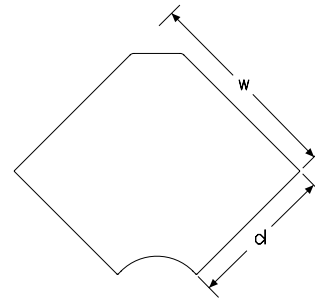
For height adjustment options with crank (C or K), crank finish color is white (91), with exceptions. For the following top surface finishes, the crank finish is graphite (G1):

- Painted (P) top finishes: CL, LU
- Veneer (W) top finishes: 2U, 40, ED, EV, EK

For additional edge, finish, and cutout options, see Vary Easy Program in appendices.

Cutouts are specifically sized for 5-wide and 6-wide Logic G1000 grommet mounted electrical distributors (Y1425.F, Y1425.G).

### Dimensions



# 90° Corner Table with C-Foot

continued

Renew™ Adjustable-Height Tables

## Specification Information

### Step 1.

**DU6FC**

### Step 2. Edge

- S.** squared-edge
- T.** thin-edge
- E.** eased-edge

### Step 3. Depth

- 24** 24" deep (23" surface size)
- 30** 30" deep (29" surface size)

### Step 4. Width

- 42** 42" wide (40" surface size)
- 48** 48" wide (46" surface size)

### Step 5. Surface Material

#### For squared-edge (S.)

- L** laminate top/thermoplastic edge
- W** veneer top/veneer edge
- P** painted Formcoat® top/edge

#### For thin-edge (T.)

- L** laminate top/thermoplastic edge
- W** veneer top/veneer edge
- P** painted Formcoat® top/edge

#### For eased-edge (E.)

- P** painted Formcoat® top/edge

### Step 6. Height Adjustment

- C** crank sit-to-stand
- K** crank seated
- E** electric standard range
- D** electric extended range

### Prices for Steps 1-6.

	LC	LK	LE	LD	WC	WK
<b>DU6FCS. 24 42</b>	\$2412	2412	2979	3355	2895	2895
<b>48</b>	\$2460	2460	3039	3421	2953	2953
<b>30 42</b>	\$2424	2424	3120	3452	2909	2909
<b>48</b>	\$2473	2473	3183	3520	2968	2968

	WE	WD	PC	PK	PE	PD
<b>DU6FCS. 24 42</b>	\$3451	3708	2581	2581	3062	3363
<b>48</b>	\$3521	3788	2633	2633	3125	3434
<b>30 42</b>	\$3619	3823	2594	2594	3212	3465
<b>48</b>	\$3694	3906	2646	2646	3279	3540

	LC	LK	LE	LD	WC	WK
<b>DU6FCT. 24 42</b>	\$2653	2653	3277	3464	2745	2745
<b>48</b>	\$2706	2706	3343	3537	2806	2806
<b>30 42</b>	\$2667	2667	3432	3569	2760	2760
<b>48</b>	\$2720	2720	3501	3646	2822	2822

	WE	WD	PC	PK	PE	PD
<b>DU6FCT. 24 42</b>	\$3422	3763	2586	2586	3154	3449
<b>48</b>	\$3499	3849	2643	2643	3223	3527
<b>30 42</b>	\$3603	3886	2601	2601	3319	3563
<b>48</b>	\$3683	3974	2658	2658	3393	3644

	WE	WD	PC	PK	PE	PD
<b>DU6FCE. 24 42</b>	—	—	\$2586	2586	3154	3449
<b>48</b>	—	—	\$2643	2643	3223	3527
<b>30 42</b>	—	—	\$2601	2601	3319	3563
<b>48</b>	—	—	\$2658	2658	3393	3644

### Step 7. Hidden Power Access

#### For crank sit-to-stand (C), crank seated (K), or electric standard range (E)

- NNP** no power access  +\$0
- PLA** leg access  +\$299

#### For electric extended range (D)

- NNP** no power access  +\$0

### Step 8. Switch Option

#### For electric standard range (E) or electric extended range (D)

- SUD** simple up down  +\$0
- SMT** no switch - LO100  +\$0
- SRM** digital read out with memory  +\$160

# 90° Corner Table with C-Foot

continued

## Step 9.

### Top Finish

*For laminate top/thermoplastic edge (L)*

<b>76</b>	light brown walnut <input type="checkbox"/>	+\$0
<b>8Q</b>	folkstone grey <input type="checkbox"/>	+\$0
<b>91</b>	white <input type="checkbox"/>	+\$0
<b>98</b>	studio white <input type="checkbox"/>	+\$0
<b>CL</b>	cool grey neutral <input type="checkbox"/>	+\$0
<b>HF</b>	inner tone light <input type="checkbox"/>	+\$0
<b>HM</b>	natural maple <input type="checkbox"/>	+\$0
<b>HP</b>	light anigre <input type="checkbox"/>	+\$0
<b>HT</b>	inner tone <input type="checkbox"/>	+\$0
<b>HX</b>	aged cherry <input type="checkbox"/>	+\$0
<b>HY</b>	walnut on cherry <input type="checkbox"/>	+\$0
<b>LA</b>	light ash <input type="checkbox"/>	+\$0
<b>LBA</b>	clear on ash <input type="checkbox"/>	+\$0
<b>LBR</b>	phantom ecru <input type="checkbox"/>	+\$0
<b>LBS</b>	phantom cocoa <input type="checkbox"/>	+\$0
<b>LBU</b>	medium matte walnut <input type="checkbox"/>	+\$0
<b>LBV</b>	warm grey teak <input type="checkbox"/>	+\$0
<b>LBB</b>	oak on ash <input type="checkbox"/>	+\$0
<b>LBC</b>	walnut on ash <input type="checkbox"/>	+\$0
<b>LBD</b>	dark brown walnut <input type="checkbox"/>	+\$0
<b>LBE</b>	medium red walnut <input type="checkbox"/>	+\$0
<b>LBF</b>	neutral twill <input type="checkbox"/>	+\$0
<b>LBG</b>	sarum twill <input type="checkbox"/>	+\$0
<b>LBH</b>	earthen twill <input type="checkbox"/>	+\$0
<b>LBJ</b>	graphite twill <input type="checkbox"/>	+\$0
<b>LBK</b>	pewter mesh <input type="checkbox"/>	+\$0
<b>LBL</b>	steel mesh <input type="checkbox"/>	+\$0
<b>LBM</b>	crisp linen <input type="checkbox"/>	+\$0
<b>LBN</b>	classic linen <input type="checkbox"/>	+\$0
<b>LBP</b>	casual linen <input type="checkbox"/>	+\$0
<b>LBQ</b>	white twill <input type="checkbox"/>	+\$0
<b>LU</b>	soft white <input type="checkbox"/>	+\$0
<b>WL</b>	sandstone <input type="checkbox"/>	+\$0
<b>WN</b>	warm grey neutral <input type="checkbox"/>	+\$0

### Top/Edge Finish

*For veneer top/veneer edge (W)*

<b>2U</b>	light brown walnut <input type="checkbox"/>	+\$85
<b>40</b>	dark brown walnut <input type="checkbox"/>	+\$85
<b>A2</b>	white ash <input type="checkbox"/>	+\$85
<b>ED</b>	aged cherry <input type="checkbox"/>	+\$85
<b>EK</b>	medium red walnut <input type="checkbox"/>	+\$85
<b>EW</b>	medium matte walnut <input type="checkbox"/>	+\$85
<b>ET</b>	clear on ash <input type="checkbox"/>	+\$85
<b>EU</b>	oak on ash <input type="checkbox"/>	+\$85
<b>EV</b>	walnut on ash <input type="checkbox"/>	+\$85
<b>OU</b>	walnut <input type="checkbox"/>	+\$85
<b>UL</b>	natural maple <input type="checkbox"/>	+\$85
<b>UX</b>	walnut on cherry <input type="checkbox"/>	+\$85

### Top/Edge Finish

*For painted Formcoat® top/edge (P)*

<b>8Q</b>	folkstone grey <input type="checkbox"/>	+\$0
<b>91</b>	white <input type="checkbox"/>	+\$0
<b>CL</b>	cool grey neutral <input type="checkbox"/>	+\$0
<b>LU</b>	soft white <input type="checkbox"/>	+\$0
<b>WL</b>	sandstone <input type="checkbox"/>	+\$0
<b>WN</b>	warm grey neutral <input type="checkbox"/>	+\$0

## Step 10. Edge Finish

*For laminate top/thermoplastic edge (L)*

<b>76</b>	light brown walnut <input type="checkbox"/>	+\$0
<b>8Q</b>	folkstone grey <input type="checkbox"/>	+\$0
<b>91</b>	white <input type="checkbox"/>	+\$0
<b>98</b>	studio white <input type="checkbox"/>	+\$0
<b>CL</b>	cool grey neutral <input type="checkbox"/>	+\$0
<b>HF</b>	inner tone light <input type="checkbox"/>	+\$0
<b>HM</b>	natural maple <input type="checkbox"/>	+\$0
<b>HP</b>	light anigre <input type="checkbox"/>	+\$0
<b>HT</b>	inner tone <input type="checkbox"/>	+\$0
<b>HX</b>	aged cherry <input type="checkbox"/>	+\$0
<b>HY</b>	walnut on cherry <input type="checkbox"/>	+\$0
<b>LA</b>	light ash <input type="checkbox"/>	+\$0
<b>LBA</b>	clear on ash <input type="checkbox"/>	+\$0
<b>LBR</b>	phantom ecru <input type="checkbox"/>	+\$0
<b>LBS</b>	phantom cocoa <input type="checkbox"/>	+\$0
<b>LBU</b>	medium matte walnut <input type="checkbox"/>	+\$0
<b>LBV</b>	warm grey teak <input type="checkbox"/>	+\$0
<b>LBB</b>	oak on ash <input type="checkbox"/>	+\$0
<b>LBC</b>	walnut on ash <input type="checkbox"/>	+\$0
<b>LBD</b>	dark brown walnut <input type="checkbox"/>	+\$0
<b>LBE</b>	medium red walnut <input type="checkbox"/>	+\$0

# 90° Corner Table with C-Foot

continued

<b>LBF</b>	neutral twill <input type="checkbox"/>	+\$0
<b>LBG</b>	sarum twill <input type="checkbox"/>	+\$0
<b>LBH</b>	earthen twill <input type="checkbox"/>	+\$0
<b>LBJ</b>	graphite twill <input type="checkbox"/>	+\$0
<b>LBK</b>	pewter mesh <input type="checkbox"/>	+\$0
<b>LBL</b>	steel mesh <input type="checkbox"/>	+\$0
<b>LBM</b>	crisp linen <input type="checkbox"/>	+\$0
<b>LBN</b>	classic linen <input type="checkbox"/>	+\$0
<b>LBP</b>	casual linen <input type="checkbox"/>	+\$0
<b>LBQ</b>	white twill <input type="checkbox"/>	+\$0
<b>LU</b>	soft white <input type="checkbox"/>	+\$0
<b>WL</b>	sandstone <input type="checkbox"/>	+\$0
<b>WN</b>	warm grey neutral <input type="checkbox"/>	+\$0

## Step 11. Crank Handle Finish

For crank sit-to-stand (C) or crank seated (K)

<b>91</b>	white <input type="checkbox"/>	+\$0
<b>G1</b>	graphite <input type="checkbox"/>	+\$0

## Step 12. Leg/Foot Finish

<b>8Q</b>	folkstone grey leg with folkstone grey foot <input type="checkbox"/>	+\$0
<b>91</b>	white leg with white foot <input type="checkbox"/>	+\$0
<b>98</b>	studio white leg with studio white foot <input type="checkbox"/>	+\$0
<b>G2</b>	graphite satin leg with graphite satin foot <input type="checkbox"/>	+\$0
<b>WL</b>	sandstone leg with sandstone foot <input type="checkbox"/>	+\$0
<b>WN</b>	warm grey neutral leg with warm grey neutral foot <input type="checkbox"/>	+\$0
<b>CN</b>	metallic champagne <input type="checkbox"/>	+\$0
<b>MS</b>	metallic silver leg with metallic silver foot <input type="checkbox"/>	+\$0
<b>LFF</b>	white leg with polished aluminum foot <input type="checkbox"/>	+\$160
<b>LFG</b>	warm grey neutral leg with polished aluminum foot <input type="checkbox"/>	+\$160
<b>LFH</b>	graphite satin leg with polished aluminum foot <input type="checkbox"/>	+\$160
<b>LFJ</b>	metallic silver leg with polished aluminum foot <input type="checkbox"/>	+\$160
<b>LFK</b>	studio white leg with polished aluminum foot <input type="checkbox"/>	+\$0

## Step 13. Cord Cover/Cable Management

<b>PSC</b>	simple cable <input type="checkbox"/>	+\$0
<b>PHD</b>	high density cable trough <input type="checkbox"/>	+\$299

## Step 14. Power Access Cutout

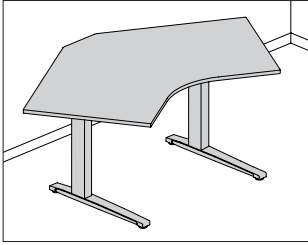
<b>NNN</b>	no cutout <input type="checkbox"/>	+\$0
<b>CAC</b>	center cutout 6 port - Y1425.D/G or Y1420.X <input type="checkbox"/>	+\$45
<b>CC5</b>	center cutout 5 port - Y1425.C/F or Y1420.V <input type="checkbox"/>	+\$45

## Step 15. Casters/Glides

<b>57</b>	glides <input type="checkbox"/>	+\$0
-----------	---------------------------------	------

## 120° Corner Table with C-Foot

DU6GCE  
DU6GCS  
DU6GCT



### Product Information

#### Description

This height-adjustable 120° corner table has a C-leg configuration, comes in multiple edge styles, and has a laminate top with thermoplastic edge, veneer top and edge, or painted Formcoat® top and edge. Power access can be hidden, and there are multiple height adjustment, wire management, and switch options. Glides have 1/2" leveling range. Shipped knocked down. Electric products are UL Listed. Floor to top-of-surface height adjustment ranges are 22"-34" for the crank seated (K) option, 27"-46" for the crank sit-to-stand (C) and electric standard range (E) options, and 22"-48" for the electric extended range (D) option.

#### Notes

For additional details on available edge options see Appendices.

Sizes listed for table depth and width are nominal. Depth of surface is reduced 1" for cord management. Width of surface is reduced 2" to minimize possible pinch hazards.

Legs are nearly flush with sides of the surface for maximum knee clearance. Knee clearance is equal to nominal top width less 8".

Simple cable cover (PSC) is facility installed only.

High density cable trough (PHD) can be accessed by users for daily cord management. High density cable trough (PHD) not available on 36"-wide or 42"-wide tables of any depth.

For height adjustment options with crank (C or K), crank can be attached above the right or left leg through top of work surface. Requires 6" of clearance from adjacent panel or wall to complete a revolution.

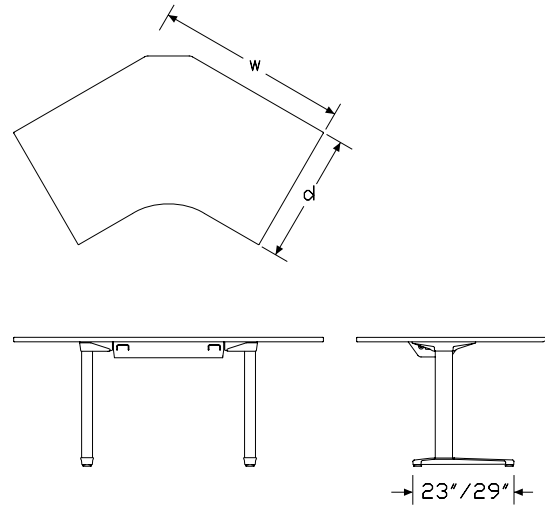
For height adjustment options with crank (C or K), crank finish color is white (91), with exceptions. For the following top surface finishes, the crank finish is graphite (G1):

- Painted (P) top finishes: CL, LU
- Veneer (W) top finishes: 2U, 40, ED, EV, EK

For additional edge, finish, and cutout options, see Vary Easy Program in appendices.

Cutouts are specifically sized for 5-wide and 6-wide Logic G1000 grommet mounted electrical distributors (Y1425.F, Y1425.G).

### Dimensions



# 120° Corner Table with C-Foot

continued

Renew™ Adjustable-Height Tables

## Specification Information

### Step 1.

**DU6GC** A

### Step 2. Edge

**S.** squared-edge A

**T.** thin-edge A

**E.** eased-edge A

### Step 3. Depth

**24** 24" deep (23" surface size) A

**30** 30" deep (29" surface size) A

### Step 4. Width

**42** 42" wide (40" surface size) A

**48** 48" wide (46" surface size) A

### Step 5. Surface Material

#### For squared-edge (S.)

**L** laminate top/thermoplastic edge A

**W** veneer top/veneer edge A

**P** painted Formcoat® top/edge A

#### For thin-edge (T.)

**L** laminate top/thermoplastic edge A

**W** veneer top/veneer edge A

**P** painted Formcoat® top/edge A

#### For eased-edge (E.)

**P** painted Formcoat® top/edge A

### Step 6. Height Adjustment

**C** crank sit-to-stand A

**K** crank seated A

**E** electric standard range A

**D** electric extended range A

### Prices for Steps 1-6.

	LC	LK	LE	LD	WC	WK
<b>DU6GCS. 24 42</b>	\$2710	2710	3402	3638	3385	3385
<b>48</b>	\$2765	2765	3471	3710	3453	3453
<b>30 42</b>	\$2840	2840	3531	3858	3512	3512
<b>48</b>	\$2893	2893	3600	3932	3580	3580

	WE	WD	PC	PK	PE	PD
<b>DU6GCS. 24 42</b>	\$4037	4211	2900	2900	3641	3892
<b>48</b>	\$4127	4307	2958	2958	3713	3970
<b>30 42</b>	\$4167	4464	3028	3028	3770	4119
<b>48</b>	\$4257	4563	3087	3087	3843	4200

	LC	LK	LE	LD	WC	WK
<b>DU6GCT. 24 42</b>	\$2981	2981	3490	3728	3521	3521
<b>48</b>	\$3041	3041	3565	3809	3595	3595
<b>30 42</b>	\$3110	3110	3619	3959	3649	3649
<b>48</b>	\$3170	3170	3694	4042	3723	3723

	WE	WD	PC	PK	PE	PD
<b>DU6GCT. 24 42</b>	\$4212	4373	2764	2764	3434	3768
<b>48</b>	\$4311	4479	2827	2827	3514	3854
<b>30 42</b>	\$4341	4639	2892	2748	3563	4006
<b>48</b>	\$4440	4747	2956	2811	3643	4094

	WE	WD	PC	PK	PE	PD
<b>DU6GCE. 24 42</b>	—	—	\$2764	2764	3434	3768
<b>48</b>	—	—	\$2827	2827	3514	3854
<b>30 42</b>	—	—	\$2892	2748	3563	4006
<b>48</b>	—	—	\$2956	2811	3643	4094

### Step 7. Hidden Power Access

#### For crank sit-to-stand (C), crank seated (K), or electric standard range (E)

**NNP** no power access A +\$0

**PLA** leg access A +\$299

#### For electric extended range (D)

**NNP** no power access A +\$0

### Step 8. Switch Option

#### For electric standard range (E) or electric extended range (D)

**SUD** simple up down A +\$0

**SMT** no switch - LO100 A +\$0

**SRM** digital read out with memory A +\$160

# 120° Corner Table with C-Foot

continued

## Step 9.

### Top Finish

*For laminate top/thermoplastic edge (L)*

<b>76</b>	light brown walnut <input type="checkbox"/>	+\$0
<b>8Q</b>	folkstone grey <input type="checkbox"/>	+\$0
<b>91</b>	white <input type="checkbox"/>	+\$0
<b>98</b>	studio white <input type="checkbox"/>	+\$0
<b>CL</b>	cool grey neutral <input type="checkbox"/>	+\$0
<b>HF</b>	inner tone light <input type="checkbox"/>	+\$0
<b>HM</b>	natural maple <input type="checkbox"/>	+\$0
<b>HP</b>	light anigre <input type="checkbox"/>	+\$0
<b>HT</b>	inner tone <input type="checkbox"/>	+\$0
<b>HX</b>	aged cherry <input type="checkbox"/>	+\$0
<b>HY</b>	walnut on cherry <input type="checkbox"/>	+\$0
<b>LA</b>	light ash <input type="checkbox"/>	+\$0
<b>LBA</b>	clear on ash <input type="checkbox"/>	+\$0
<b>LBR</b>	phantom ecru <input type="checkbox"/>	+\$0
<b>LBS</b>	phantom cocoa <input type="checkbox"/>	+\$0
<b>LBU</b>	medium matte walnut <input type="checkbox"/>	+\$0
<b>LBV</b>	warm grey teak <input type="checkbox"/>	+\$0
<b>LBB</b>	oak on ash <input type="checkbox"/>	+\$0
<b>LBC</b>	walnut on ash <input type="checkbox"/>	+\$0
<b>LBD</b>	dark brown walnut <input type="checkbox"/>	+\$0
<b>LBE</b>	medium red walnut <input type="checkbox"/>	+\$0
<b>LBF</b>	neutral twill <input type="checkbox"/>	+\$0
<b>LBG</b>	sarum twill <input type="checkbox"/>	+\$0
<b>LBH</b>	earthen twill <input type="checkbox"/>	+\$0
<b>LBJ</b>	graphite twill <input type="checkbox"/>	+\$0
<b>LBK</b>	pewter mesh <input type="checkbox"/>	+\$0
<b>LBL</b>	steel mesh <input type="checkbox"/>	+\$0
<b>LBM</b>	crisp linen <input type="checkbox"/>	+\$0
<b>LBN</b>	classic linen <input type="checkbox"/>	+\$0
<b>LBP</b>	casual linen <input type="checkbox"/>	+\$0
<b>LBQ</b>	white twill <input type="checkbox"/>	+\$0
<b>LU</b>	soft white <input type="checkbox"/>	+\$0
<b>WL</b>	sandstone <input type="checkbox"/>	+\$0
<b>WN</b>	warm grey neutral <input type="checkbox"/>	+\$0

### Top/Edge Finish

*For veneer top/veneer edge (W)*

<b>2U</b>	light brown walnut <input type="checkbox"/>	+\$85
<b>40</b>	dark brown walnut <input type="checkbox"/>	+\$85
<b>A2</b>	white ash <input type="checkbox"/>	+\$85
<b>ED</b>	aged cherry <input type="checkbox"/>	+\$85
<b>EK</b>	medium red walnut <input type="checkbox"/>	+\$85
<b>EW</b>	medium matte walnut <input type="checkbox"/>	+\$85
<b>ET</b>	clear on ash <input type="checkbox"/>	+\$85
<b>EU</b>	oak on ash <input type="checkbox"/>	+\$85
<b>EV</b>	walnut on ash <input type="checkbox"/>	+\$85
<b>OU</b>	walnut <input type="checkbox"/>	+\$85
<b>UL</b>	natural maple <input type="checkbox"/>	+\$85
<b>UX</b>	walnut on cherry <input type="checkbox"/>	+\$85

### Top/Edge Finish

*For painted Formcoat® top/edge (P)*

<b>8Q</b>	folkstone grey <input type="checkbox"/>	+\$0
<b>91</b>	white <input type="checkbox"/>	+\$0
<b>CL</b>	cool grey neutral <input type="checkbox"/>	+\$0
<b>LU</b>	soft white <input type="checkbox"/>	+\$0
<b>WL</b>	sandstone <input type="checkbox"/>	+\$0
<b>WN</b>	warm grey neutral <input type="checkbox"/>	+\$0

## Step 10. Edge Finish

*For laminate top/thermoplastic edge (L)*

<b>76</b>	light brown walnut <input type="checkbox"/>	+\$0
<b>8Q</b>	folkstone grey <input type="checkbox"/>	+\$0
<b>91</b>	white <input type="checkbox"/>	+\$0
<b>98</b>	studio white <input type="checkbox"/>	+\$0
<b>CL</b>	cool grey neutral <input type="checkbox"/>	+\$0
<b>HF</b>	inner tone light <input type="checkbox"/>	+\$0
<b>HM</b>	natural maple <input type="checkbox"/>	+\$0
<b>HP</b>	light anigre <input type="checkbox"/>	+\$0
<b>HT</b>	inner tone <input type="checkbox"/>	+\$0
<b>HX</b>	aged cherry <input type="checkbox"/>	+\$0
<b>HY</b>	walnut on cherry <input type="checkbox"/>	+\$0
<b>LA</b>	light ash <input type="checkbox"/>	+\$0
<b>LBA</b>	clear on ash <input type="checkbox"/>	+\$0
<b>LBR</b>	phantom ecru <input type="checkbox"/>	+\$0
<b>LBS</b>	phantom cocoa <input type="checkbox"/>	+\$0
<b>LBU</b>	medium matte walnut <input type="checkbox"/>	+\$0
<b>LBV</b>	warm grey teak <input type="checkbox"/>	+\$0
<b>LBB</b>	oak on ash <input type="checkbox"/>	+\$0
<b>LBC</b>	walnut on ash <input type="checkbox"/>	+\$0
<b>LBD</b>	dark brown walnut <input type="checkbox"/>	+\$0
<b>LBE</b>	medium red walnut <input type="checkbox"/>	+\$0



# 120° Corner Table with C-Foot

continued

<b>LBF</b>	neutral twill <input type="checkbox"/>	+\$0
<b>LBG</b>	sarum twill <input type="checkbox"/>	+\$0
<b>LBH</b>	earthen twill <input type="checkbox"/>	+\$0
<b>LBJ</b>	graphite twill <input type="checkbox"/>	+\$0
<b>LBK</b>	pewter mesh <input type="checkbox"/>	+\$0
<b>LBL</b>	steel mesh <input type="checkbox"/>	+\$0
<b>LBM</b>	crisp linen <input type="checkbox"/>	+\$0
<b>LBN</b>	classic linen <input type="checkbox"/>	+\$0
<b>LBP</b>	casual linen <input type="checkbox"/>	+\$0
<b>LBQ</b>	white twill <input type="checkbox"/>	+\$0
<b>LU</b>	soft white <input type="checkbox"/>	+\$0
<b>WL</b>	sandstone <input type="checkbox"/>	+\$0
<b>WN</b>	warm grey neutral <input type="checkbox"/>	+\$0

## Step 11. Crank Handle Finish

For crank sit-to-stand (C) or crank seated (K)

<b>91</b>	white <input type="checkbox"/>	+\$0
<b>G1</b>	graphite <input type="checkbox"/>	+\$0

## Step 12. Leg/Foot Finish

<b>8Q</b>	folkstone grey leg with folkstone grey foot <input type="checkbox"/>	+\$0
<b>91</b>	white leg with white foot <input type="checkbox"/>	+\$0
<b>98</b>	studio white leg with studio white foot <input type="checkbox"/>	+\$0
<b>G2</b>	graphite satin leg with graphite satin foot <input type="checkbox"/>	+\$0
<b>WL</b>	sandstone leg with sandstone foot <input type="checkbox"/>	+\$0
<b>WN</b>	warm grey neutral leg with warm grey neutral foot <input type="checkbox"/>	+\$0
<b>CN</b>	metallic champagne <input type="checkbox"/>	+\$0
<b>MS</b>	metallic silver leg with metallic silver foot <input type="checkbox"/>	+\$0
<b>LFF</b>	white leg with polished aluminum foot <input type="checkbox"/>	+\$160
<b>LFG</b>	warm grey neutral leg with polished aluminum foot <input type="checkbox"/>	+\$160
<b>LFH</b>	graphite satin leg with polished aluminum foot <input type="checkbox"/>	+\$160
<b>LFJ</b>	metallic silver leg with polished aluminum foot <input type="checkbox"/>	+\$160
<b>LFK</b>	studio white leg with polished aluminum foot <input type="checkbox"/>	+\$0

## Step 13. Cord Cover/Cable Management

<b>PSC</b>	simple cable <input type="checkbox"/>	+\$0
<b>PHD</b>	high density cable trough <input type="checkbox"/>	+\$299

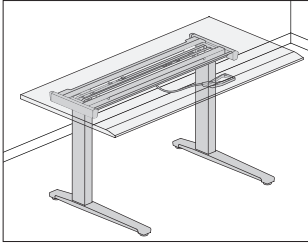
## Step 14. Power Access Cutout

<b>NNN</b>	no cutout <input type="checkbox"/>	+\$0
<b>CAC</b>	center cutout 6 port - Y1425.D/G or Y1420.X <input type="checkbox"/>	+\$45
<b>CC5</b>	center cutout 5 port - Y1425.C/F or Y1420.V <input type="checkbox"/>	+\$45

## Step 15. Casters/Glides

<b>57</b>	glides <input type="checkbox"/>	+\$0
-----------	---------------------------------	------

# Rectangle Counterbalance Table DU6ACG with C-Foot



Renew™ Adjustable-Height Tables

## Product Information

### Description

This rectangular height-adjustable table has a C-leg configuration, comes in multiple edge styles, and has a laminate top with thermoplastic edge, laminate top with a thermoplastic backed plywood edge, veneer top and edge, or painted Formcoat® top and edge. Glides have 1/2" leveling range. Shipped knocked down.

Floor to top-of-surface height adjustment range is 27"-46". A nonpowered gas-assisted counterbalance mechanism provides smooth operation throughout the entire height range.

### Notes

For additional details on available edge options see Appendices.

Sizes listed for table depth and width are nominal. Depth of surface is reduced 1" for cord management. Width of surface is reduced 2" to minimize possible pinch hazards.

Legs are nearly flush with sides of the surface for maximum knee clearance. Knee clearance is equal to nominal top width less 8".

Simple cable cover (PSC) is facility installed only.

For height adjustment options with crank (C or K), crank can be attached above the right or left leg through top of work surface. Requires 6" of clearance from adjacent panel or wall to complete a revolution.

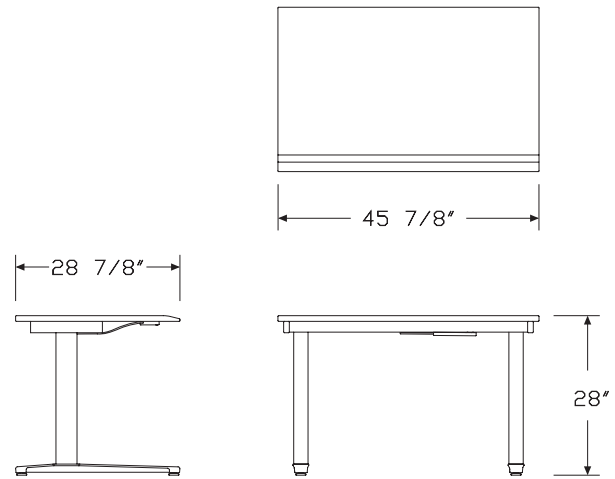
For height adjustment options with crank (C or K), crank finish color is white (91), with exceptions. For the following top surface finishes, the crank finish is graphite (G1):

- Painted (P) top finishes: CL, LU
- Veneer (W) top finishes: 2U, 40, ED, EV, EK

For additional edge, finish, and cutout options, see Vary Easy Program in appendices.

Cutouts are specifically sized for 5-wide and 6-wide Logic G1000 grommet mounted electrical distributors (Y1425.F, Y1425.G).

## Dimensions



# Rectangle Counterbalance Table with C-Foot *continued*

Renew™ Adjustable-Height Tables

## Specification Information

### Step 1.

**DU6ACG**

### Step 2. Edge

**S.** squared-edge

**T.** thin-edge

**E.** eased-edge

### Step 3. Depth

**24** 24" deep

**30** 30" deep

### Step 4. Width

**48** 48" wide

**60** 60" wide

**72** 72" wide

### Step 5. Surface Material

#### For squared-edge (S.)

**L** laminate top/thermoplastic edge

**W** veneer top/veneer edge

**P** painted Formcoat® top/edge

**U** laminate top/universal edge

#### For thin-edge (T.)

**L** laminate top/thermoplastic edge

**W** veneer top/veneer edge

**P** painted Formcoat® top/edge

#### For eased-edge (E.)

**P** painted Formcoat® top/edge

### Prices for Steps 1-5.

	48L	48W	48P	48U	60L	60W
<b>DU6ACG S. 24</b>	\$3251	3771	3413	3251	3446	3997
<b>30</b>	\$3333	3867	3500	3333	3528	4093
<b>T. 24</b>	\$3576	4148	3755	—	3790	4396
<b>30</b>	\$3667	4254	3851	—	3881	4502
<b>E. 24</b>	—	—	\$3755	—	—	—
<b>30</b>	—	—	\$3851	—	—	—
	60P	60U	72L	72W	72P	72U
<b>DU6ACG S. 24</b>	\$3618	3446	3666	4253	3849	3666
<b>30</b>	\$3705	3528	3749	4349	3936	3749

<b>T. 24</b>	\$3980	—	4032	4678	4233	—
<b>30</b>	\$4075	—	4123	4783	4329	—
<b>E. 24</b>	\$3980	—	—	—	4234	—
<b>30</b>	\$4075	—	—	—	4329	—

### Step 6. Cord Cover/Cable Management

**PSC** simple cable  +\$0

### Step 7.

#### Top Finish

For laminate top/thermoplastic edge (L) or laminate top/universal edge (U)

<b>76</b>	light brown walnut <input type="checkbox"/>	+\$0
<b>8Q</b>	folkstone grey <input type="checkbox"/>	+\$0
<b>91</b>	white <input type="checkbox"/>	+\$0
<b>98</b>	studio white <input type="checkbox"/>	+\$0
<b>CL</b>	cool grey neutral <input type="checkbox"/>	+\$0
<b>HF</b>	inner tone light <input type="checkbox"/>	+\$0
<b>HM</b>	natural maple <input type="checkbox"/>	+\$0
<b>HP</b>	light anigre <input type="checkbox"/>	+\$0
<b>HT</b>	inner tone <input type="checkbox"/>	+\$0
<b>HX</b>	aged cherry <input type="checkbox"/>	+\$0
<b>HY</b>	walnut on cherry <input type="checkbox"/>	+\$0
<b>LA</b>	light ash <input type="checkbox"/>	+\$0
<b>LBA</b>	clear on ash <input type="checkbox"/>	+\$0
<b>LBR</b>	phantom ecru <input type="checkbox"/>	+\$0
<b>LBS</b>	phantom cocoa <input type="checkbox"/>	+\$0
<b>LBU</b>	medium matte walnut <input type="checkbox"/>	+\$0
<b>LBV</b>	warm grey teak <input type="checkbox"/>	+\$0
<b>LBB</b>	oak on ash <input type="checkbox"/>	+\$0
<b>LBC</b>	walnut on ash <input type="checkbox"/>	+\$0
<b>LBD</b>	dark brown walnut <input type="checkbox"/>	+\$0
<b>LBE</b>	medium red walnut <input type="checkbox"/>	+\$0
<b>LBF</b>	neutral twill <input type="checkbox"/>	+\$0
<b>LBG</b>	sarum twill <input type="checkbox"/>	+\$0
<b>LBH</b>	earthen twill <input type="checkbox"/>	+\$0
<b>LBJ</b>	graphite twill <input type="checkbox"/>	+\$0
<b>LBK</b>	pewter mesh <input type="checkbox"/>	+\$0
<b>LBL</b>	steel mesh <input type="checkbox"/>	+\$0
<b>LBM</b>	crisp linen <input type="checkbox"/>	+\$0
<b>LBN</b>	classic linen <input type="checkbox"/>	+\$0
<b>LBP</b>	casual linen <input type="checkbox"/>	+\$0
<b>LBQ</b>	white twill <input type="checkbox"/>	+\$0
<b>LU</b>	soft white <input type="checkbox"/>	+\$0
<b>WL</b>	sandstone <input type="checkbox"/>	+\$0
<b>WN</b>	warm grey neutral <input type="checkbox"/>	+\$0

# Rectangle Counterbalance Table with C-Foot *continued*

Top/Edge Finish: Wood Veneer

*For veneer top/veneer edge (W)*

<b>2U</b>	light brown walnut <input type="checkbox"/>	+\$85
<b>40</b>	dark brown walnut <input type="checkbox"/>	+\$85
<b>A2</b>	white ash <input type="checkbox"/>	+\$85
<b>ED</b>	aged cherry <input type="checkbox"/>	+\$85
<b>EK</b>	medium red walnut <input type="checkbox"/>	+\$85
<b>EW</b>	medium matte walnut <input type="checkbox"/>	+\$85
<b>ET</b>	clear on ash <input type="checkbox"/>	+\$85
<b>EU</b>	oak on ash <input type="checkbox"/>	+\$85
<b>EV</b>	walnut on ash <input type="checkbox"/>	+\$85
<b>EY</b>	light anigre <input type="checkbox"/>	+\$85
<b>OU</b>	walnut <input type="checkbox"/>	+\$85
<b>UL</b>	natural maple <input type="checkbox"/>	+\$85
<b>UX</b>	walnut on cherry <input type="checkbox"/>	+\$85

Top/Edge Finish: Opaque Formcoat®

*For painted Formcoat® top/edge (P)*

<b>8Q</b>	folkstone grey <input type="checkbox"/>	+\$0
<b>91</b>	white <input type="checkbox"/>	+\$0
<b>CL</b>	cool grey neutral <input type="checkbox"/>	+\$0
<b>LU</b>	soft white <input type="checkbox"/>	+\$0
<b>WL</b>	sandstone <input type="checkbox"/>	+\$0
<b>WN</b>	warm grey neutral <input type="checkbox"/>	+\$0

Step 8. Edge Finish

*For laminate top/thermoplastic edge (L)*

<b>76</b>	light brown walnut <input type="checkbox"/>	+\$0
<b>8Q</b>	folkstone grey <input type="checkbox"/>	+\$0
<b>91</b>	white <input type="checkbox"/>	+\$0
<b>98</b>	studio white <input type="checkbox"/>	+\$0
<b>CL</b>	cool grey neutral <input type="checkbox"/>	+\$0
<b>HF</b>	inner tone light <input type="checkbox"/>	+\$0
<b>HM</b>	natural maple <input type="checkbox"/>	+\$0
<b>HP</b>	light anigre <input type="checkbox"/>	+\$0
<b>HT</b>	inner tone <input type="checkbox"/>	+\$0
<b>HX</b>	aged cherry <input type="checkbox"/>	+\$0
<b>HY</b>	walnut on cherry <input type="checkbox"/>	+\$0
<b>LA</b>	light ash <input type="checkbox"/>	+\$0
<b>LBA</b>	clear on ash <input type="checkbox"/>	+\$0
<b>LBR</b>	phantom ecru <input type="checkbox"/>	+\$0
<b>LBS</b>	phantom cocoa <input type="checkbox"/>	+\$0
<b>LBU</b>	medium matte walnut <input type="checkbox"/>	+\$0
<b>LBV</b>	warm grey teak <input type="checkbox"/>	+\$0
<b>LBB</b>	oak on ash <input type="checkbox"/>	+\$0
<b>LBC</b>	walnut on ash <input type="checkbox"/>	+\$0
<b>LBD</b>	dark brown walnut <input type="checkbox"/>	+\$0
<b>LBE</b>	medium red walnut <input type="checkbox"/>	+\$0
<b>LBF</b>	neutral twill <input type="checkbox"/>	+\$0
<b>LBG</b>	sarum twill <input type="checkbox"/>	+\$0
<b>LBH</b>	earthen twill <input type="checkbox"/>	+\$0
<b>LBJ</b>	graphite twill <input type="checkbox"/>	+\$0
<b>LBK</b>	pewter mesh <input type="checkbox"/>	+\$0
<b>LBL</b>	steel mesh <input type="checkbox"/>	+\$0
<b>LBM</b>	crisp linen <input type="checkbox"/>	+\$0
<b>LBN</b>	classic linen <input type="checkbox"/>	+\$0
<b>LBP</b>	casual linen <input type="checkbox"/>	+\$0
<b>LBQ</b>	white twill <input type="checkbox"/>	+\$0
<b>LU</b>	soft white <input type="checkbox"/>	+\$0
<b>WL</b>	sandstone <input type="checkbox"/>	+\$0
<b>WN</b>	warm grey neutral <input type="checkbox"/>	+\$0

*For laminate top/universal edge (U)*

<b>PLY</b>	plywood edge <input type="checkbox"/>	+\$50
------------	---------------------------------------	-------

Step 9. Leg/Foot Finish

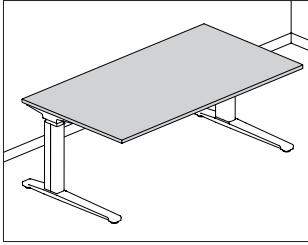
<b>G2</b>	graphite satin leg with graphite satin foot <input type="checkbox"/>	+\$0
<b>MS</b>	metallic silver leg with metallic silver foot <input type="checkbox"/>	+\$0

Step 10. Casters/Glides

<b>57</b>	glides <input type="checkbox"/>	+\$0
-----------	---------------------------------	------

# Height Adjustable Rectangular Worksurface

DU6WS.



## Product Information

### Description

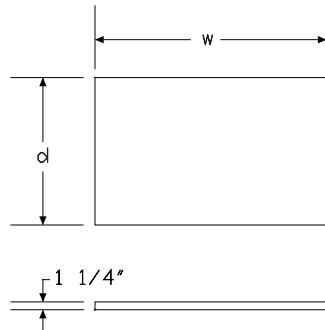
This rectangular work surface attaches to a height adjustable base to create a height adjustable table. It has a 1 1/4"-thick laminate top with thermoplastic edge or laminate top with a thermoplastic backed plywood edge.

### Notes

Order 2-leg table base kit (DU7A.) separately.

Sizes listed for table depth and width are nominal. Depth of surface is reduced 1" for cord management. Width of surface is reduced 2" to minimize possible pinch hazard.

### Dimensions



## Specification Information

### Step 1.

**DU6W**  A

### Step 2. Edge

**S.** squared-edge  A

### Step 3. Depth

**24** 24" deep (23" surface size)  A

**30** 30" deep (29" surface size)  A

### Step 4. Width

**48** 48" wide (46" surface size)  A

**54** 54" wide (52" surface size)  A

**60** 60" wide (58" surface size)  A

**66** 66" wide (64" surface size)  A

**72** 72" wide (70" surface size)  A

### Step 5. Surface Material

**L** laminate top/thermoplastic edge  A

**U** laminate top/universal edge  A

### Prices for Steps 1-5.

	L	U
<b>DU6WS.24 48</b>	\$228	228
<b>54</b>	\$275	275
<b>60</b>	\$302	302
<b>66</b>	\$344	344
<b>72</b>	\$384	384
<b>30 48</b>	\$308	308
<b>54</b>	\$370	370
<b>60</b>	\$403	403
<b>66</b>	\$462	462
<b>72</b>	\$519	519

### Step 6. Base Type

**V** pre-drilled holes for V1 base  A +\$0

### Step 7. Top Finish

**1X** vanilla  A +\$0

**76** light brown walnut  A +\$99

**8Q** folkstone grey  A +\$0

**91** white  A +\$0

**98** studio white  A +\$0

**CL** cool grey neutral  A +\$0

**HF** inner tone light  A +\$0

**HM** natural maple  A +\$0

# Height Adjustable Rectangular Worksurface *continued*

Renew™ Adjustable-Height Tables

<b>HP</b>	light anigre <input type="checkbox"/>	+\$0
<b>HT</b>	inner tone <input type="checkbox"/>	+\$0
<b>HX</b>	aged cherry <input type="checkbox"/>	+\$99
<b>HY</b>	walnut on cherry <input type="checkbox"/>	+\$99
<b>LA</b>	light ash <input type="checkbox"/>	+\$0
<b>LBA</b>	clear on ash <input type="checkbox"/>	+\$0
<b>LBB</b>	oak on ash <input type="checkbox"/>	+\$0
<b>LBC</b>	walnut on ash <input type="checkbox"/>	+\$0
<b>LBD</b>	dark brown walnut <input type="checkbox"/>	+\$0
<b>LBE</b>	medium red walnut <input type="checkbox"/>	+\$0
<b>LBF</b>	neutral twill <input type="checkbox"/>	+\$0
<b>LBG</b>	sarum twill <input type="checkbox"/>	+\$0
<b>LBH</b>	earthen twill <input type="checkbox"/>	+\$0
<b>LBJ</b>	graphite twill <input type="checkbox"/>	+\$0
<b>LBK</b>	pewter mesh <input type="checkbox"/>	+\$0
<b>LBL</b>	steel mesh <input type="checkbox"/>	+\$0
<b>LBM</b>	crisp linen <input type="checkbox"/>	+\$0
<b>LBN</b>	classic linen <input type="checkbox"/>	+\$0
<b>LBP</b>	casual linen <input type="checkbox"/>	+\$0
<b>LBQ</b>	white twill <input type="checkbox"/>	+\$0
<b>LBR</b>	phantom ecru <input type="checkbox"/>	+\$0
<b>LBS</b>	phantom cocoa <input type="checkbox"/>	+\$0
<b>LBU</b>	medium matte walnut <input type="checkbox"/>	+\$0
<b>LBV</b>	warm grey teak <input type="checkbox"/>	+\$0
<b>LU</b>	soft white <input type="checkbox"/>	+\$0
<b>WL</b>	sandstone <input type="checkbox"/>	+\$0
<b>WN</b>	warm grey neutral <input type="checkbox"/>	+\$0

## Step 8. Edge Finish

### *For laminate top/thermoplastic edge (L)*

<b>76</b>	light brown walnut <input type="checkbox"/>	+\$0
<b>8Q</b>	folkstone grey <input type="checkbox"/>	+\$0
<b>91</b>	white <input type="checkbox"/>	+\$0
<b>98</b>	studio white <input type="checkbox"/>	+\$0
<b>CL</b>	cool grey neutral <input type="checkbox"/>	+\$0
<b>HF</b>	inner tone light <input type="checkbox"/>	+\$0
<b>HM</b>	natural maple <input type="checkbox"/>	+\$0
<b>HP</b>	light anigre <input type="checkbox"/>	+\$0
<b>HT</b>	inner tone <input type="checkbox"/>	+\$0
<b>HX</b>	aged cherry <input type="checkbox"/>	+\$0
<b>HY</b>	walnut on cherry <input type="checkbox"/>	+\$0
<b>LA</b>	light ash <input type="checkbox"/>	+\$0
<b>LBA</b>	clear on ash <input type="checkbox"/>	+\$0
<b>LBR</b>	phantom ecru <input type="checkbox"/>	+\$0
<b>LBS</b>	phantom cocoa <input type="checkbox"/>	+\$0
<b>LBU</b>	medium matte walnut <input type="checkbox"/>	+\$0
<b>LBV</b>	warm grey teak <input type="checkbox"/>	+\$0
<b>LBB</b>	oak on ash <input type="checkbox"/>	+\$0
<b>LBC</b>	walnut on ash <input type="checkbox"/>	+\$0
<b>LBD</b>	dark brown walnut <input type="checkbox"/>	+\$0
<b>LBE</b>	medium red walnut <input type="checkbox"/>	+\$0
<b>LBF</b>	neutral twill <input type="checkbox"/>	+\$0
<b>LBG</b>	sarum twill <input type="checkbox"/>	+\$0
<b>LBH</b>	earthen twill <input type="checkbox"/>	+\$0
<b>LBJ</b>	graphite twill <input type="checkbox"/>	+\$0
<b>LBK</b>	pewter mesh <input type="checkbox"/>	+\$0
<b>LBL</b>	steel mesh <input type="checkbox"/>	+\$0
<b>LBM</b>	crisp linen <input type="checkbox"/>	+\$0
<b>LBN</b>	classic linen <input type="checkbox"/>	+\$0
<b>LBP</b>	casual linen <input type="checkbox"/>	+\$0
<b>LBQ</b>	white twill <input type="checkbox"/>	+\$0
<b>LU</b>	soft white <input type="checkbox"/>	+\$0
<b>WL</b>	sandstone <input type="checkbox"/>	+\$0
<b>WN</b>	warm grey neutral <input type="checkbox"/>	+\$0

### *For laminate top/universal edge (U)*

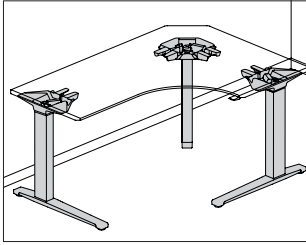
<b>PLY</b>	plywood edge <input type="checkbox"/>	+\$50
------------	---------------------------------------	-------

## Step 9. Cutout Option

<b>NNN</b>	no cutout <input type="checkbox"/>	+\$0
------------	------------------------------------	------

# Table Base Kit - 3 Legs

DU7F.



### Product Information

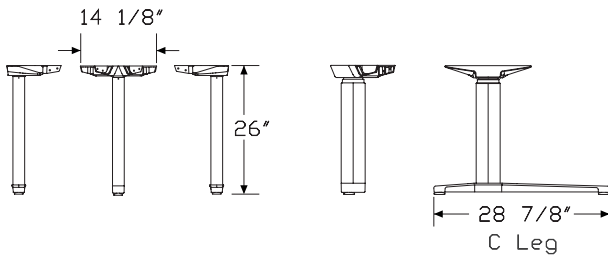
#### Description

This independent 3-leg kit transforms existing work surfaces into height adjustable tables. Legs come in 2 depths with a choice of power access and switch type.

#### Notes

Order work surface stiffeners separately.  
See Renew™ Sit-to-Stand Tables planning guide for design information.

#### Dimensions



### Specification Information

#### Step 1.

**DU7F.**  A

#### Step 2. Mechanism

- E** electric standard range  A
- D** electric extended range  A

#### Step 3. Depth

- 24** 24" deep (23" actual)  A
- 30** 30" deep (29" actual)  A

#### Step 4. Foot Type

- C** C foot  A

#### Prices for Steps 1-4.

	<b>C</b>
<b>DU7F. E 24</b>	\$4222
<b>30</b>	\$4222
<b>D 24</b>	\$4498
<b>30</b>	\$4498

#### Step 5. Hidden Power Access

##### For electric standard range (E)

- NNP** no power access  A +\$0
- PLA** leg access  A +\$299

##### For electric extended range (D)

- NNP** no power access  A +\$0

#### Step 6. Switch Option

- SUD** simple up down  A +\$0
- SMT** no switch - LO100  A +\$0
- SRM** digital read out with memory  A +\$160

Table Base Kit - 3 Legs *continued*

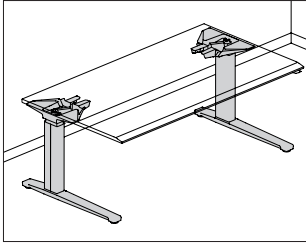
Renew™ Sit-to-Stand Table Bases

Step 7. Leg/Foot Finish		
<b>8Q</b>	folkstone grey leg with folkstone grey foot <input type="checkbox"/> A	+\$0
<b>91</b>	white leg with white foot <input type="checkbox"/> A	+\$0
<b>98</b>	studio white leg with studio white foot <input type="checkbox"/> A	+\$0
<b>G2</b>	graphite satin leg with graphite satin foot <input type="checkbox"/> A	+\$0
<b>WL</b>	sandstone leg with sandstone foot <input type="checkbox"/> A	+\$0
<b>WN</b>	warm grey neutral leg with warm grey neutral foot <input type="checkbox"/> A	+\$0
<b>MS</b>	metallic silver leg with metallic silver foot <input type="checkbox"/> A	+\$0
<b>CN</b>	metallic champagne <input type="checkbox"/> A	+\$0
<b>LFF</b>	white leg with polished aluminum foot <input type="checkbox"/> A	+\$160
<b>LFG</b>	warm grey neutral leg with polished aluminum foot <input type="checkbox"/> A	+\$160
<b>LFH</b>	graphite satin leg with polished aluminum foot <input type="checkbox"/> A	+\$160
<b>LFJ</b>	metallic silver leg with polished aluminum foot <input type="checkbox"/> A	+\$160
<b>LFK</b>	studio white leg with polished aluminum foot <input type="checkbox"/> A	+\$0
Step 8. Casters/Glides		
<b>57</b>	glides <input type="checkbox"/> A	+\$0



# Table Base Kit - 2 Legs

DU7A.



### Product Information

#### Description

This independent 2-leg kit transforms existing work surfaces into height adjustable tables. Legs come in 2 depths with a choice of foot type, power access and switch type.

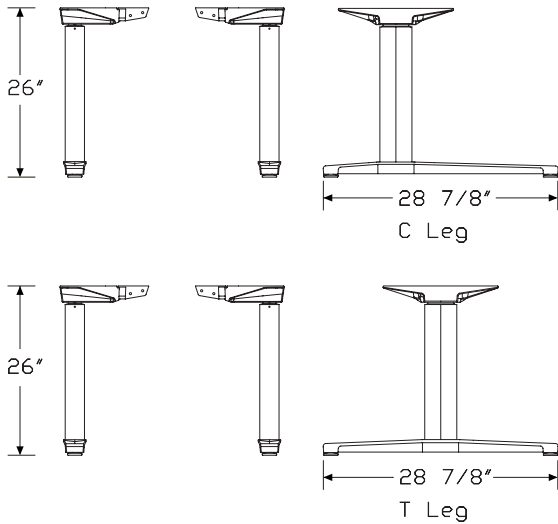
#### Notes

Order work surface stiffeners separately.

See Renew™ Sit-to-Stand Tables planning guide for design information.

To use 2-leg base kit on work surfaces 72" wide and wider, order motor extension cable service part U1B7600 separately.

#### Dimensions



### Specification Information

#### Step 1.

**DU7A.**  A

#### Step 2. Mechanism

**E** electric standard range  A  
**D** electric extended range  A

#### Step 3. Depth

**24** 24" deep (23" actual)  A  
**30** 30" deep (29" actual)  A

#### Step 4. Foot Type

*For 24" deep (23" actual) (24)*

**C** C foot  A

*For 30" deep (29" actual) (30)*

**T** T foot  A

**C** C foot  A

#### Prices for Steps 1-4.

		T	C
<b>DU7A.</b>	<b>E 24</b>	—	\$2618
	<b>30</b>	\$2618	2618
	<b>D 24</b>	—	\$2937
	<b>30</b>	\$2937	2937

#### Step 5. Hidden Power Access

*For electric standard range (E)*

**NNP** no power access  A +\$0  
**PLA** leg access  A +\$299

*For electric extended range (D)*

**NNP** no power access  A +\$0

#### Step 6. Switch Option

**SUD** simple up down  A +\$0  
**SMT** no switch - LO100  A +\$0  
**SRM** digital read out with memory  A +\$160

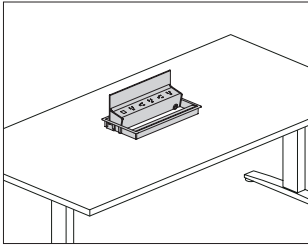
Table Base Kit - 2 Legs *continued*

Renew™ Sit-to-Stand Table Bases

Step 7. Leg/Foot Finish		
<b>8Q</b>	folkstone grey leg with folkstone grey foot <input type="checkbox"/> A	+\$0
<b>91</b>	white leg with white foot <input type="checkbox"/> A	+\$0
<b>98</b>	studio white leg with studio white foot <input type="checkbox"/> A	+\$0
<b>G2</b>	graphite satin leg with graphite satin foot <input type="checkbox"/> A	+\$0
<b>WL</b>	sandstone leg with sandstone foot <input type="checkbox"/> A	+\$0
<b>WN</b>	warm grey neutral leg with warm grey neutral foot <input type="checkbox"/> A	+\$0
<b>CN</b>	metallic champagne <input type="checkbox"/> A	+\$0
<b>MS</b>	metallic silver leg with metallic silver foot <input type="checkbox"/> A	+\$0
<b>LFF</b>	white leg with polished aluminum foot <input type="checkbox"/> A	+\$160
<b>LFG</b>	warm grey neutral leg with polished aluminum foot <input type="checkbox"/> A	+\$160
<b>LFH</b>	graphite satin leg with polished aluminum foot <input type="checkbox"/> A	+\$160
<b>LFJ</b>	metallic silver leg with polished aluminum foot <input type="checkbox"/> A	+\$160
<b>LFK</b>	studio white leg with polished aluminum foot <input type="checkbox"/> A	+\$0
Step 8. Casters/Glides		
<b>57</b>	glides <input type="checkbox"/> A	+\$0

# Logic G1000 Grommet Mounted Electrical Distributor

Y1425.



## Product Information

### Description

This Logic Power Access Solutions™ grommet mounted electrical distributor comes in several widths and configurations of simplex receptacles and USB charging ports. The unit is powered using a standard power cord with plug end, a hard-wired connection with electrical conduit, or an IEC connector when used with Renew™ Sit-to-Stand tables. An integrated cord keeper at the face of the unit captures network data cords. The unit pivots from a closed position to 135° allowing easy access to power and data cords stored beneath the unit. Product is UL listed.

### Notes

Field cutting of grommet cutout is possible.

IEC connector for Renew power type (C) includes short cord designed to connect to the Renew table power cord through-leg option. Actual cord length may vary.

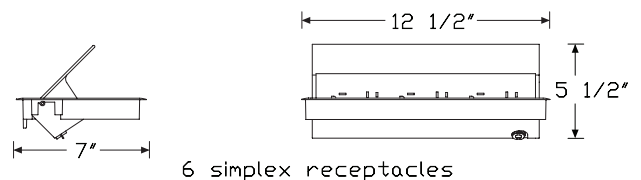
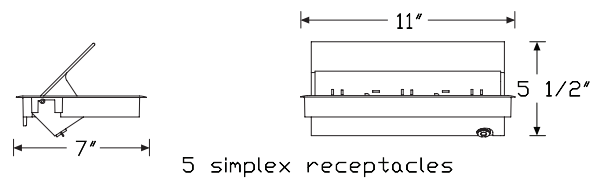
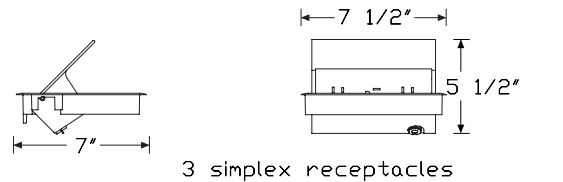
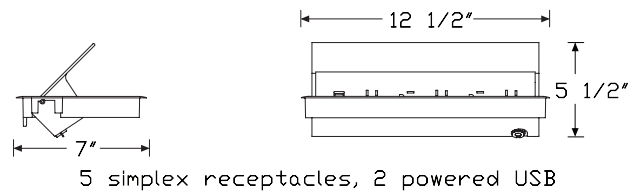
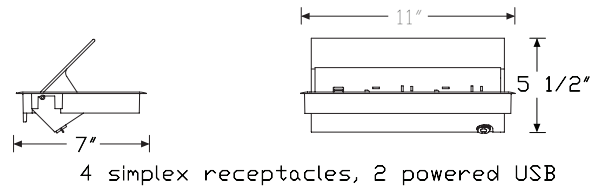
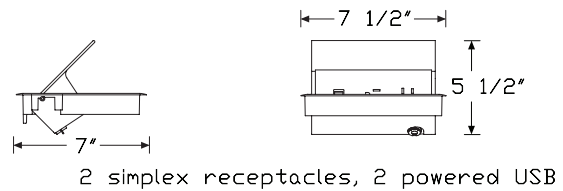
Simplex receptacles have alternating orientation and greater than normal plug spacing to accommodate most plug types.

USB ports supply 10-watt power and will charge most small electronic devices. Software in each device controls that devices ability to accept a charge via USB.

Refer to Renew™ Sit-to-Stand Tables and Locale® planning guides for specific application information.

20' cord/conduit length (20) is recommended for Exclave® applications.

## Dimensions



# Logic G1000 Grommet Mounted Electrical Distributor *continued*

## Specification Information

### Step 1.

**Y1425.**  A

### Step 2. Configuration

- A** 2 simplex receptacles, 2 powered USB  A
- C** 4 simplex receptacles, 2 powered USB  A
- D** 5 simplex receptacles, 2 powered USB  A
- E** 3 simplex receptacles  A
- F** 5 simplex receptacles  A
- G** 6 simplex receptacles  A

### Step 3. Power Type

- A** power cord with plug end  A
- B** conduit with open end, for hard-wiring  A
- C** IEC connector for Renew Tables  A

### Step 4. Cord/Conduit Length

#### *For power cord with plug end (A)*

- 03** 3' cord/conduit  A
- 06** 6' cord/conduit  A
- 10** 10' cord/conduit  A
- 20** 20' cord/conduit  A

#### *For conduit with open end, for hard-wiring (B)*

- 03** 3' cord/conduit  A
- 06** 6' cord/conduit  A
- 10** 10' cord/conduit  A

#### *For IEC connector for Renew Tables (C)*

- 03** 3' cord/conduit  A

### Prices for Steps 1-4.

		<b>03</b>	<b>06</b>	<b>10</b>	<b>20</b>
<b>Y1425. A</b>	<b>A</b>	\$658	658	668	679
	<b>B</b>	\$709	709	719	—
	<b>C</b>	\$668	—	—	—
<b>C</b>	<b>A</b>	\$763	763	774	785
	<b>B</b>	\$814	814	825	—
	<b>C</b>	\$774	—	—	—
<b>D</b>	<b>A</b>	\$831	831	842	852
	<b>B</b>	\$882	882	892	—
	<b>C</b>	\$842	—	—	—
<b>E</b>	<b>A</b>	\$506	506	516	526
	<b>B</b>	\$556	556	567	—
	<b>C</b>	\$516	—	—	—

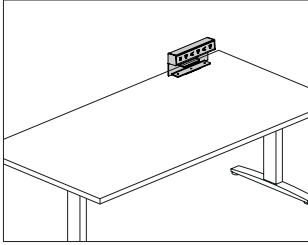
<b>F</b>	<b>A</b>	\$611	611	622	632
	<b>B</b>	\$662	662	673	—
	<b>C</b>	\$622	—	—	—
<b>G</b>	<b>A</b>	\$679	679	689	700
	<b>B</b>	\$729	729	741	—
	<b>C</b>	\$689	—	—	—

### Step 5. Finish

<b>91</b>	white <input type="checkbox"/> A				+\$0
<b>98</b>	studio white <input type="checkbox"/> A				+\$0
<b>G1</b>	graphite <input type="checkbox"/> A				+\$0
<b>MS</b>	metallic silver <input type="checkbox"/> A				+\$0

# Logic C1000 Universal Clamp Mount Distributor

Y1423.



## Product Information

### Description

This Logic Power Access Solutions™ clamp mounted electrical distributor comes in several widths and configurations of simplex receptacles and USB charging ports. The unit is powered using a standard power cord with plug end or a hard-wired connection with electrical conduit. Data cords can be routed through the integrated opening at the rear of the unit. Product is UL listed.

### Notes

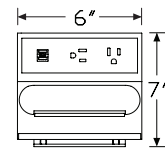
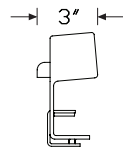
Clamp mounts on worksurfaces 1"-1 1/4" thick.

Faceplate color matches unit color.

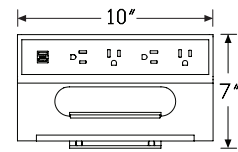
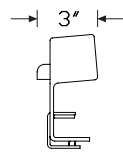
Simplex receptacles have alternating orientation and greater than normal plug spacing to accommodate most plug types.

USB ports supply 10-watt power and will charge most small electronic devices. Software in each device controls that devices ability to accept a charge via USB.

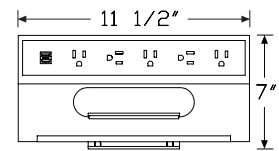
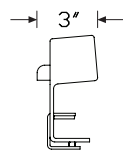
## Dimensions



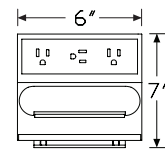
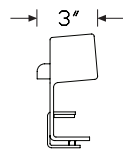
2 simplex receptacles, 2 powered USB



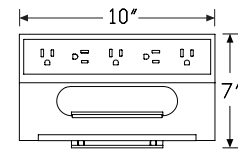
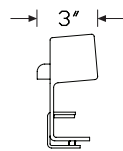
4 simplex receptacles, 2 powered USB



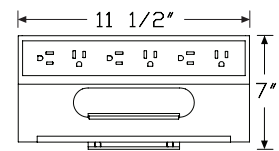
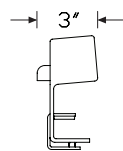
5 simplex receptacles, 2 powered USB



3 simplex receptacles



5 simplex receptacles



6 simplex receptacles

# Logic C1000 Universal Clamp Mount Distributor *continued*

## Specification Information

### Step 1.

**Y1423.**  A

### Step 2. Configuration

- A** 2 simplex receptacles, 2 powered USB  A
- C** 4 simplex receptacles, 2 powered USB  A
- D** 5 simplex receptacles, 2 powered USB  A
- E** 3 simplex receptacles  A
- F** 5 simplex receptacles  A
- G** 6 simplex receptacles  A

### Step 3. Power Type

- A** power cord with plug end  A
- B** conduit with open end, for hard-wiring  A

### Step 4. Cord/Conduit Length

- 03** 3' cord/conduit  A
- 06** 6' cord/conduit  A
- 10** 10' cord/conduit  A

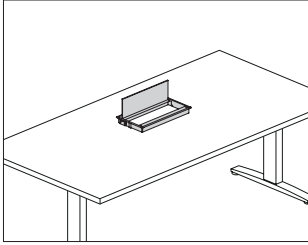
### Prices for Steps 1-4.

		<b>03</b>	<b>06</b>	<b>10</b>
<b>Y1423. A</b>	<b>A</b>	\$462	462	473
	<b>B</b>	\$513	513	523
	<b>C</b>	\$555	555	565
	<b>B</b>	\$606	606	617
	<b>D</b>	\$594	594	605
	<b>B</b>	\$645	645	656
	<b>E</b>	\$310	310	321
	<b>B</b>	\$362	362	372
	<b>F</b>	\$404	404	414
	<b>B</b>	\$454	454	465
	<b>G</b>	\$442	442	453
	<b>B</b>	\$493	493	504

### Step 5. Finish

- 91** white  A +\$0
- 98** studio white  A +\$0
- G1** graphite  A +\$0
- MS** metallic silver  A +\$0

Logic G1200 Grommet Pass Thru Y1420.



**Product Information**

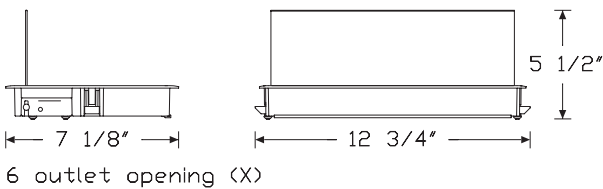
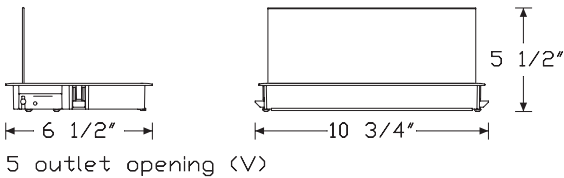
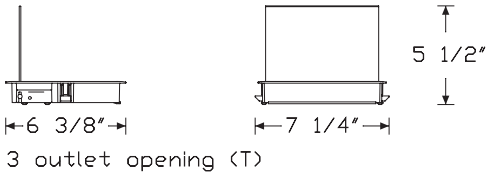
**Description**

This Logic Power Access Solutions™ grommet mounted metal enclosure provides access to cords kept beneath the surface. The unit has an integrated cord keeper.

**Notes**

Unit size is based on the grommet mounted electrical distributor (Y1425.) with simplex receptacles.

**Dimensions**



**Specification Information**

**Step 1.**

**Y1420.** [A]

**Step 2. Configuration**

- T** three outlet opening [A]
- V** five outlet opening [A]
- X** six outlet opening [A]

**Prices for Steps 1-2.**

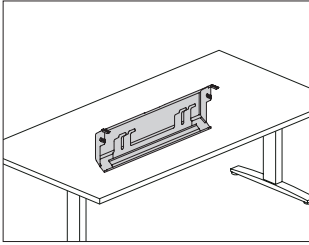
<b>Y1420. T</b>	\$220
<b>V</b>	\$242
<b>X</b>	\$263

**Step 3. Finish**

<b>91</b> white [A]	+\$0
<b>98</b> studio white [A]	+\$0
<b>G1</b> graphite [A]	+\$0
<b>MS</b> metallic silver [A]	+\$0

# Logic HD Cable Manager

Y1424.

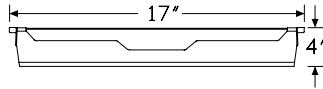
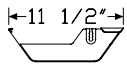


## Product Information

### Description

This Logic Power Access Solutions™ stand-alone cable management tray mounts to the underside of most surfaces. It can be used with a Logic unit for cord storage, or used alone with cords routed through the back side of the unit. Tray drops down and holds cords in place while working and can be easily stowed back in place.

### Dimensions



## Specification Information

### Step 1.

**Y1424.** A

### Step 2. Size

**17** 17" wide tray A

### Prices for Steps 1-2.

**Y1424. 17** \$242

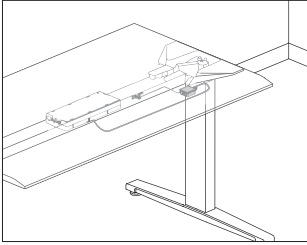
### Step 3. Finish

<b>91</b>	white <span style="border: 1px solid black; padding: 0 2px;">A</span>	+ \$0
<b>98</b>	studio white <span style="border: 1px solid black; padding: 0 2px;">A</span>	+ \$0
<b>G1</b>	graphite <span style="border: 1px solid black; padding: 0 2px;">A</span>	+ \$0
<b>MS</b>	metallic silver <span style="border: 1px solid black; padding: 0 2px;">A</span>	+ \$0



# Renew™ Obstruction Sensor Kit

DUSG1.  
DUSG2.



## Product Information

### Description

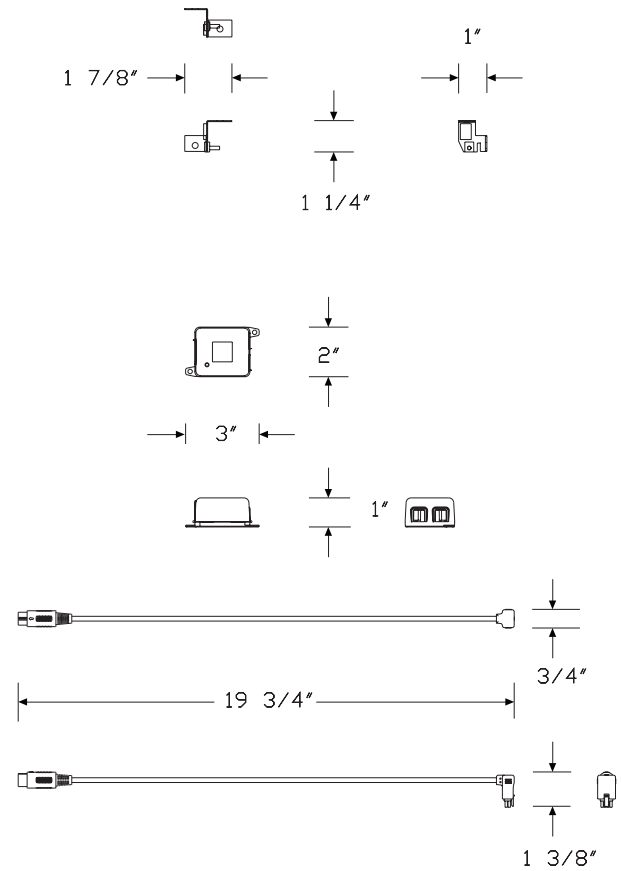
This sensor kit provides an additional system failsafe mechanism for Renew™ tables and Renew Link by detecting possible obstructions and/or unsafe conditions in the travel path of the table. Kit comes with 1 or 2 sensors depending on table width. Renew table and Renew Link bench remain UL Listed with sensor installed.

### Notes

Warning: Despite this sensor being in place, there may still be a risk of pinching in exceptional cases, as it is not only the control unit, but also the interaction between the mechanical and electronic systems that is responsible for responding to obstructions. Herman Miller cannot therefore eliminate this residual risk completely or accept any liability. Be sure to maintain a clear path within the envelope of the height adjustable table.

See Renew Link planning guide for design information.

## Dimensions



Renew™ Power and Data Support

# Renew™ Obstruction Sensor Kit

continued

Renew™ Power and Data Support

## Specification Information

Step 1.

**DUSG**  A

Step 2. Table Width

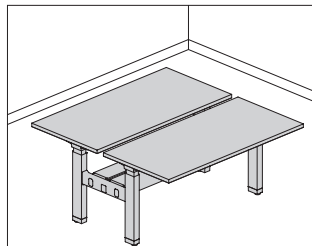
- 1. 60 inches and under  A
- 2. Over 60 inches  A

Prices for Steps 1-2.

<b>DUSG1.</b>	\$100
<b>DUSG2.</b>	\$125

## Back to Back Rectangular Height Adjustable Bench

DU2AE.  
DU2AS.  
DU2AT.



### Product Information

#### Description

This rectangular back to back bench is a 2 workstation unit that can be used in back to back height adjustable benching applications in series with other Renew™ Link back to back benches to create a run. Each workstation has a C-leg configuration, comes in multiple edge styles, and has options for laminate top with thermoplastic edge, laminate top with a thermoplastic backed plywood edge, veneer top and edge, or painted Formcoat® top and edge. There are multiple height adjustment, wire management, and switch options. Glides have 1/2" of leveling adjustment. Shipped knocked down. Product is UL Listed.

Each table can be specified with a different height adjustment mechanism. Floor to top of surface height adjustment ranges are 27"-46" for the electric standard range (E) option, 22"-48" for the electric extended range (D) option, and 28 1/2" for the fixed height table (F).

#### Notes

To power bench applications, specify Connect™ separately. See planning guide for details.

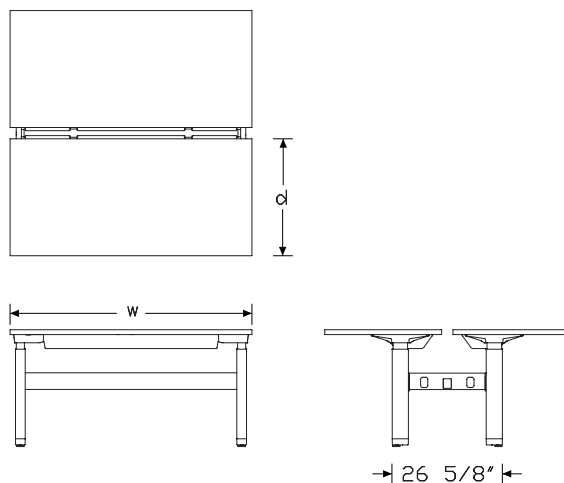
Sizes listed for table depth and width are nominal. Depth of surface is reduced 1" for cord management. Width of surface is reduced 1" to minimize possible pinch point hazards between benches.

Simple cable cover (PSC) is facility installed only.

High density cable trough (PHD) can be accessed by users for daily cord management. Available on 30" deep tables only.

Power access cutouts are specifically sized for 5 wide and 6 wide Logic G1000 grommet mounted electrical distributors (Y1425).

### Dimensions



Renew™ Link

# Back to Back Rectangular Height Adjustable Bench *continued*

Renew™ Link

## Specification Information

### Step 1.

**DU2A** [A](#)

### Step 2. Edge

**S.** squared-edge [A](#)

**T.** thin-edge [A](#)

**E.** eased-edge [A](#)

### Step 3. Depth

**24** 24" deep (23" surface size) [A](#)

**30** 30" deep (29" surface size) [A](#)

### Step 4. Width

**48** 48" wide (47" surface size) [A](#)

**54** 54" wide (53" surface size) [A](#)

**60** 60" wide (59" surface size) [A](#)

**66** 66" wide (65" surface size) [A](#)

**72** 72" wide (71" surface size) [A](#)

### Step 5. Surface Material

#### For squared-edge (S.)

**L** laminate top/thermoplastic edge [A](#)

**W** veneer top/veneer edge [A](#)

**P** painted Formcoat® top/edge [A](#)

**U** laminate top/universal edge [A](#)

#### For thin-edge (T.)

**L** laminate top/thermoplastic edge [A](#)

**W** veneer top/veneer edge [A](#)

**P** painted Formcoat® top/edge [A](#)

#### For eased-edge (E.)

**P** painted Formcoat® top/edge [A](#)

### Step 6. Height Adjustable Table 1

**E** electric standard range [A](#)

**D** electric extended range [A](#)

**F** fixed table [A](#)

### Step 7. Height Adjustable Table 2

#### For electric standard range (E)

**E** electric standard range [A](#)

**D** electric extended range [A](#)

**F** fixed table [A](#)

#### For electric extended range (D)

**D** electric extended range [A](#)

**F** fixed table [A](#)

#### For fixed table (F)

**F** fixed table [A](#)

### Prices for Steps 1-7.

	LEE	LED	LEF	LDD	LDF	LFF
<b>DU2AS.24 48</b>	\$6093	6654	4948	7986	7995	3804
<b>54</b>	\$6222	6805	5078	8172	8209	3933
<b>60</b>	\$6346	6932	5202	8318	8375	4058
<b>66</b>	\$6482	7105	5337	8545	8635	4193
<b>72</b>	\$6601	7254	5457	8736	8854	4312
<b>30 48</b>	\$6264	6778	5119	8077	8100	3975
<b>54</b>	\$6362	6918	5218	8272	8323	4074
<b>60</b>	\$6450	7045	5306	8454	8531	4162
<b>66</b>	\$6554	7200	5410	8672	8781	4266
<b>72</b>	\$6648	7345	5504	8877	9015	4360
	WEE	WED	WEF	WDD	WDF	WFF
<b>DU2AS.24 48</b>	\$7312	7986	6168	9582	9823	5023
<b>54</b>	\$7466	8165	6322	9808	10079	5178
<b>60</b>	\$7616	8318	6472	9981	10279	5327
<b>66</b>	\$7779	8526	6634	10254	10591	5490
<b>72</b>	\$7921	8706	6777	10483	10853	5632
<b>30 48</b>	\$7516	8133	6372	9692	9948	5227
<b>54</b>	\$7635	8302	6491	9927	10217	5346
<b>60</b>	\$7741	8454	6597	10145	10466	5452
<b>66</b>	\$7865	8640	6721	10408	10766	5577
<b>72</b>	\$7978	8815	6834	10653	11047	5690
	PEE	PED	PEF	PDD	PDF	PFF
<b>DU2AS.24 48</b>	\$6337	6921	5193	8306	8361	4049
<b>54</b>	\$6472	7078	5327	8500	8583	4183
<b>60</b>	\$6601	7209	5457	8651	8756	4312
<b>66</b>	\$6742	7390	5598	8887	9027	4454
<b>72</b>	\$6864	7545	5720	9086	9254	4576
<b>30 48</b>	\$6514	7049	5370	8401	8470	4225
<b>54</b>	\$6617	7196	5473	8604	8702	4328
<b>60</b>	\$6709	7327	5565	8793	8919	4420
<b>66</b>	\$6817	7489	5673	9020	9178	4528
<b>72</b>	\$6915	7640	5771	9233	9422	4626

# Back to Back Rectangular Height Adjustable Bench *continued*

	UEE	UED	UEF	UDD	UDF	UFF
<b>DU2AS.24 48</b>	\$6093	6654	4948	7986	7995	3804
54	\$6222	6805	5078	8172	8209	3933
60	\$6346	6932	5202	8318	8375	4058
66	\$6482	7105	5337	8545	8635	4193
72	\$6601	7254	5457	8736	8854	4312
<b>30 48</b>	\$6264	6778	5119	8077	8100	3975
54	\$6362	6918	5218	8272	8323	4074
60	\$6450	7045	5306	8454	8531	4162
66	\$6554	7200	5410	8672	8781	4266
72	\$6648	7345	5504	8877	9015	4360
	LEE	LED	LEF	LDD	LDF	LFF
<b>DU2AT.24 48</b>	\$6611	7221	5467	8664	8771	4322
54	\$6751	7384	5607	8868	9005	4463
60	\$6887	7522	5742	9026	9184	4598
66	\$7033	7709	5889	9272	9466	4744
72	\$7162	7872	6018	9479	9704	4874
<b>30 48</b>	\$6796	7354	5651	8764	8886	4507
54	\$6904	7507	5760	8976	9129	4615
60	\$6999	7645	5854	9173	9354	4710
66	\$7113	7813	5969	9410	9625	4824
72	\$7215	7970	6071	9633	9879	4926
	WEE	WED	WEF	WDD	WDF	WFF
<b>DU2AT.24 48</b>	\$7933	8665	6789	10398	10756	5644
54	\$8102	8861	6957	10642	11035	5813
60	\$8264	9027	7120	10831	11251	5976
66	\$8440	9251	7296	11127	11589	6151
72	\$8595	9446	7450	11375	11874	6306
<b>30 48</b>	\$8156	8825	7012	10518	10893	5868
54	\$8284	9009	7139	10772	11183	5995
60	\$8400	9173	7255	11008	11455	6111
66	\$8536	9375	7392	11292	11779	6247
72	\$8657	9564	7513	11560	12085	6369
	PEE	PED	PEF	PDD	PDF	PFF
<b>DU2AT.24 48</b>	\$6877	7469	5732	9012	9169	4588
54	\$7022	7680	5878	9224	9412	4733
60	\$7162	7823	6018	9387	9599	4874
66	\$7315	8018	6171	9643	9891	5026
72	\$7449	8188	6305	9859	10139	5161
<b>30 48</b>	\$7068	7648	5924	9116	9287	4780
54	\$7181	7808	6036	9336	9540	4892
60	\$7280	7951	6135	9541	9774	4991
66	\$7398	8126	6253	9787	10056	5109
72	\$7504	8290	6359	10018	10321	5215

	PEE	PED	PEF	PDD	PDF	PFF
<b>DU2AE.24 48</b>	\$6654	7267	5510	8721	8836	4366
54	\$6795	7432	5650	8926	9070	4506
60	\$6931	7570	5787	9083	9251	4642
66	\$7080	7759	5935	9332	9535	4791
72	\$7208	7923	6064	9541	9774	4919
<b>30 48</b>	\$6841	7402	5697	8822	8952	4553
54	\$6948	7555	5804	9035	9196	4660
60	\$7045	7694	5901	9233	9422	4757
66	\$7158	7863	6014	9472	9695	4870
72	\$7261	8023	6117	9694	9950	4973

Step 8. Central Cable Trough

<b>ECT</b>	enhanced cable trough w/covers - data/power routing and cord management <a href="#">A</a>	+\$0
------------	---	------

Step 9. Switch Option

*For fixed table (F) with fixed table (F)*

<b>SNN</b>	no control <a href="#">A</a>	+\$0
------------	------------------------------	------

*For electric standard range (E) AND electric extended range (D)*

		E	D	F
<b>SUD</b>	simple up down <a href="#">A</a>	+\$0	0	0
<b>SMT</b>	no switch - LO100 <a href="#">A</a>	+\$0	0	0
<b>SRM</b>	digital read out with memory <a href="#">A</a>	+\$160	320	320

Step 10. Workstation Cord Cover/Cable Management Table 1 and 2

*For 24" deep (23" surface size) (24)*

<b>PSC</b>	simple cable <a href="#">A</a>	+\$0
------------	--------------------------------	------

*For 30" deep (29" surface size) (30)*

<b>PSC</b>	simple cable <a href="#">A</a>	+\$0
<b>PHD</b>	high density cable trough <a href="#">A</a>	+\$549

Step 11. Power Access Cutout - Table 1 and 2

<b>NNN</b>	no cutout <a href="#">A</a>	+\$0
------------	-----------------------------	------

*For 30" deep (29" surface size) (30) with 54" wide (53" surface size) (54) with high density cable trough (PHD)*

<b>NNN</b>	no cutout <a href="#">A</a>	+\$0
<b>LAC</b>	left cutout 6 port Y1425 <a href="#">A</a>	+\$45
<b>RAC</b>	right cutout 6 port Y1425 <a href="#">A</a>	+\$45
<b>LC5</b>	left cutout 5 port Y1425 <a href="#">A</a>	+\$45
<b>RC5</b>	right cutout 5 port Y1425 <a href="#">A</a>	+\$45

Renew™ Link

# Back to Back Rectangular Height Adjustable Bench *continued*

Renew™ Link

For 30" deep (29" surface size) (30) with 60" wide (59" surface size) (60), or 66" wide (65" surface size) (66), or 72" wide (71" surface size) (72) with high density cable trough (PHD)

<b>NNN</b>	no cutout <a href="#">A</a>	+\$0
<b>LAC</b>	left cutout <a href="#">A</a>	+\$45
<b>RAC</b>	right cutout <a href="#">A</a>	+\$45
<b>CAC</b>	center cutout <a href="#">A</a>	+\$45
<b>LC5</b>	left cutout 5 port Y1425 <a href="#">A</a>	+\$45
<b>RC5</b>	right cutout 5 port Y1425 <a href="#">A</a>	+\$45
<b>CC5</b>	center cutout 5 port Y1425 <a href="#">A</a>	+\$45

Step 12.

Top Finish

For laminate top/thermoplastic edge (L) or laminate top/universal edge (U)

<b>1X</b>	vanilla <a href="#">A</a>	+\$0
<b>28</b>	canyon <a href="#">A</a>	+\$0
<b>29</b>	misted <a href="#">A</a>	+\$0
<b>2X</b>	wheat <a href="#">A</a>	+\$0
<b>38</b>	twilight <a href="#">A</a>	+\$0
<b>39</b>	desert <a href="#">A</a>	+\$0
<b>3X</b>	celery <a href="#">A</a>	+\$0
<b>4X</b>	coriander <a href="#">A</a>	+\$0
<b>5X</b>	chamomile <a href="#">A</a>	+\$0
<b>6X</b>	cinnamon <a href="#">A</a>	+\$0
<b>76</b>	light brown walnut <a href="#">A</a>	+\$0
<b>7X</b>	cardamom <a href="#">A</a>	+\$0
<b>8Q</b>	folkstone grey <a href="#">A</a>	+\$0
<b>8X</b>	kale <a href="#">A</a>	+\$0
<b>91</b>	white <a href="#">A</a>	+\$0
<b>98</b>	studio white <a href="#">A</a>	+\$0
<b>CL</b>	cool grey neutral <a href="#">A</a>	+\$0
<b>HF</b>	inner tone light <a href="#">A</a>	+\$0
<b>HM</b>	natural maple <a href="#">A</a>	+\$0
<b>HP</b>	light anigre <a href="#">A</a>	+\$0
<b>HT</b>	inner tone <a href="#">A</a>	+\$0
<b>HX</b>	aged cherry <a href="#">A</a>	+\$0
<b>HY</b>	walnut on cherry <a href="#">A</a>	+\$0
<b>J4</b>	frosted light grey <a href="#">A</a>	+\$0
<b>LA</b>	light ash <a href="#">A</a>	+\$0
<b>LBA</b>	clear on ash <a href="#">A</a>	+\$0
<b>LBR</b>	phantom ecru <a href="#">A</a>	+\$0
<b>LBS</b>	phantom cocoa <a href="#">A</a>	+\$0
<b>LBU</b>	medium matte walnut <a href="#">A</a>	+\$0
<b>LBV</b>	warm grey teak <a href="#">A</a>	+\$0
<b>LBB</b>	oak on ash <a href="#">A</a>	+\$0

<b>LBC</b>	walnut on ash <a href="#">A</a>	+\$0
<b>LBD</b>	dark brown walnut <a href="#">A</a>	+\$0
<b>LBE</b>	medium red walnut <a href="#">A</a>	+\$0
<b>LBF</b>	neutral twill <a href="#">A</a>	+\$0
<b>LBG</b>	sarum twill <a href="#">A</a>	+\$0
<b>LBH</b>	earthen twill <a href="#">A</a>	+\$0
<b>LBJ</b>	graphite twill <a href="#">A</a>	+\$0
<b>LBK</b>	pewter mesh <a href="#">A</a>	+\$0
<b>LBL</b>	steel mesh <a href="#">A</a>	+\$0
<b>LBM</b>	crisp linen <a href="#">A</a>	+\$0
<b>LBN</b>	classic linen <a href="#">A</a>	+\$0
<b>LBP</b>	casual linen <a href="#">A</a>	+\$0
<b>LBQ</b>	white twill <a href="#">A</a>	+\$0
<b>LG</b>	light grey (discontinuing) <a href="#">A</a>	+\$0
<b>LM</b>	mahogany <a href="#">A</a>	+\$0
<b>LT</b>	light tone <a href="#">A</a>	+\$0
<b>LU</b>	soft white <a href="#">A</a>	+\$0
<b>MT</b>	medium tone <a href="#">A</a>	+\$0
<b>OG</b>	honey maple <a href="#">A</a>	+\$0
<b>WL</b>	sandstone <a href="#">A</a>	+\$0
<b>WN</b>	warm grey neutral <a href="#">A</a>	+\$0
<b>X1</b>	chalk white <a href="#">A</a>	+\$0

Top/Edge Finish

For veneer top/veneer edge (W)

<b>2U</b>	light brown walnut <a href="#">A</a>	+\$170
<b>40</b>	dark brown walnut <a href="#">A</a>	+\$170
<b>ED</b>	aged cherry <a href="#">A</a>	+\$170
<b>EK</b>	medium red walnut <a href="#">A</a>	+\$170
<b>EW</b>	medium matte walnut <a href="#">A</a>	+\$170
<b>ET</b>	clear on ash <a href="#">A</a>	+\$170
<b>EU</b>	oak on ash <a href="#">A</a>	+\$170
<b>EV</b>	walnut on ash <a href="#">A</a>	+\$170
<b>UL</b>	natural maple <a href="#">A</a>	+\$170
<b>UX</b>	walnut on cherry <a href="#">A</a>	+\$170

Top/Edge Finish

For painted Formcoat® top/edge (P)

<b>8Q</b>	folkstone grey <a href="#">A</a>	+\$0
<b>91</b>	white <a href="#">A</a>	+\$0
<b>CL</b>	cool grey neutral <a href="#">A</a>	+\$0
<b>LU</b>	soft white <a href="#">A</a>	+\$0
<b>WL</b>	sandstone <a href="#">A</a>	+\$0
<b>WN</b>	warm grey neutral <a href="#">A</a>	+\$0

# Back to Back Rectangular Height Adjustable Bench *continued*

## Step 13. Edge Finish

### *For laminate top/thermoplastic edge (L)*

<b>28</b>	canyon <input type="checkbox"/>	+\$0
<b>29</b>	misted <input type="checkbox"/>	+\$0
<b>38</b>	twilight <input type="checkbox"/>	+\$0
<b>39</b>	desert <input type="checkbox"/>	+\$0
<b>76</b>	light brown walnut <input type="checkbox"/>	+\$0
<b>8Q</b>	folkstone grey <input type="checkbox"/>	+\$0
<b>8Z</b>	neutral grey <input type="checkbox"/>	+\$0
<b>91</b>	white <input type="checkbox"/>	+\$0
<b>98</b>	studio white <input type="checkbox"/>	+\$0
<b>9V</b>	tapestry beige <input type="checkbox"/>	+\$0
<b>BU</b>	black umber <input type="checkbox"/>	+\$0
<b>CL</b>	cool grey neutral <input type="checkbox"/>	+\$0
<b>CM</b>	cinnamon <input type="checkbox"/>	+\$0
<b>CO</b>	chamomile <input type="checkbox"/>	+\$0
<b>G2</b>	graphite satin <input type="checkbox"/>	+\$0
<b>HF</b>	inner tone light <input type="checkbox"/>	+\$0
<b>HM</b>	natural maple <input type="checkbox"/>	+\$0
<b>HP</b>	light anigre <input type="checkbox"/>	+\$0
<b>HT</b>	inner tone <input type="checkbox"/>	+\$0
<b>HX</b>	aged cherry <input type="checkbox"/>	+\$0
<b>HY</b>	walnut on cherry <input type="checkbox"/>	+\$0
<b>JB</b>	millwork cherry <input type="checkbox"/>	+\$0
<b>LA</b>	light ash <input type="checkbox"/>	+\$0
<b>LBA</b>	clear on ash <input type="checkbox"/>	+\$0
<b>LBR</b>	phantom ecru <input type="checkbox"/>	+\$0
<b>LBS</b>	phantom cocoa <input type="checkbox"/>	+\$0
<b>LBU</b>	medium matte walnut <input type="checkbox"/>	+\$0
<b>LBV</b>	warm grey teak <input type="checkbox"/>	+\$0
<b>LBB</b>	oak on ash <input type="checkbox"/>	+\$0
<b>LBC</b>	walnut on ash <input type="checkbox"/>	+\$0
<b>LBD</b>	dark brown walnut <input type="checkbox"/>	+\$0
<b>LBE</b>	medium red walnut <input type="checkbox"/>	+\$0
<b>LBF</b>	neutral twill <input type="checkbox"/>	+\$0
<b>LBG</b>	sarum twill <input type="checkbox"/>	+\$0
<b>LBH</b>	earthen twill <input type="checkbox"/>	+\$0
<b>LBJ</b>	graphite twill <input type="checkbox"/>	+\$0
<b>LBK</b>	pewter mesh <input type="checkbox"/>	+\$0
<b>LBL</b>	steel mesh <input type="checkbox"/>	+\$0
<b>LBM</b>	crisp linen <input type="checkbox"/>	+\$0
<b>LBN</b>	classic linen <input type="checkbox"/>	+\$0
<b>LBP</b>	casual linen <input type="checkbox"/>	+\$0
<b>LBQ</b>	white twill <input type="checkbox"/>	+\$0
<b>LG</b>	light grey (discontinuing) <input type="checkbox"/>	+\$0
<b>LM</b>	mahogany <input type="checkbox"/>	+\$0

<b>LT</b>	light tone <input type="checkbox"/>	+\$0
<b>LU</b>	soft white <input type="checkbox"/>	+\$0
<b>MT</b>	medium tone <input type="checkbox"/>	+\$0
<b>N3</b>	cool grey <input type="checkbox"/>	+\$0
<b>OG</b>	honey maple <input type="checkbox"/>	+\$0
<b>SG</b>	slate grey <input type="checkbox"/>	+\$0
<b>WA</b>	wheat <input type="checkbox"/>	+\$0
<b>WL</b>	sandstone <input type="checkbox"/>	+\$0
<b>WN</b>	warm grey neutral <input type="checkbox"/>	+\$0
<b>X1</b>	chalk white <input type="checkbox"/>	+\$0

### *For laminate top/universal edge (U)*

<b>PLY</b>	plywood edge <input type="checkbox"/>	+\$50
------------	---------------------------------------	-------

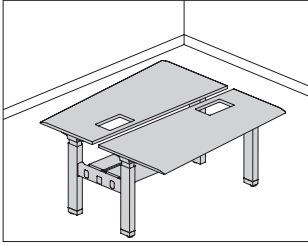
## Step 14. Base Finish

<b>8Q</b>	folkstone grey <input type="checkbox"/>	+\$0
<b>91</b>	white <input type="checkbox"/>	+\$0
<b>98</b>	studio white <input type="checkbox"/>	+\$0
<b>G2</b>	graphite satin <input type="checkbox"/>	+\$0
<b>WL</b>	sandstone <input type="checkbox"/>	+\$0
<b>WN</b>	warm grey neutral <input type="checkbox"/>	+\$0
<b>CN</b>	metallic champagne <input type="checkbox"/>	+\$0
<b>MS</b>	metallic silver <input type="checkbox"/>	+\$0

Renew™ Link

# Back to Back Trapezoid Height Adjustable Bench

DU2TE.  
DU2TS.  
DU2TT.



## Product Information

### Description

This bench is a 2 workstation unit that can be used in back to back height adjustable benching applications in series with other Renew™ Link back to back benches to create a run. The trapezoid shape creates individual and group work environments within a traditional benching application. Each workstation has a C-leg configuration, comes in multiple edge styles, and has options for laminate top with thermoplastic edge, laminate top with a thermoplastic backed plywood edge, veneer top and edge, or painted Formcoat® top and edge. There are multiple height adjustment, wire management, and switch options. Glides have 1/2" of leveling adjustment. Shipped knocked down. Product is UL Listed.

Each table can be specified with a different height adjustment mechanism. Floor to top of surface height adjustment ranges are 27"-46" for the electric standard range (E) option, 22"-48" for the electric extended range (D) option, and 28 1/2" for the fixed height table (F).

### Notes

To power bench applications, specify Connect™ separately. See planning guide for details.

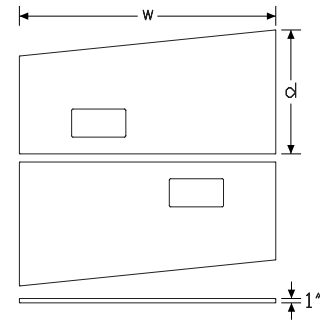
Simple cable cover (PSC) is facility installed only.

High density cable trough (PHD) can be accessed by users for daily cord management. Available on 30" deep tables only.

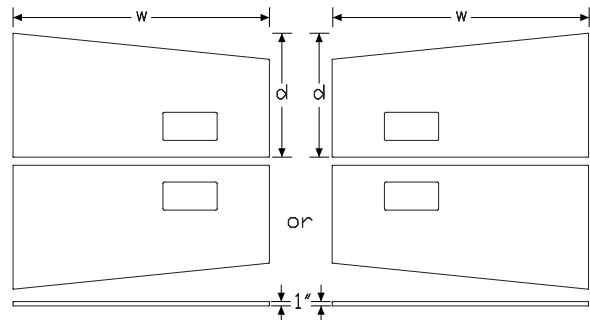
Power access cutouts are specifically sized for 5 wide and 6 wide Logic G1000 grommet mounted electrical distributors (Y1425).

Renew™ Link

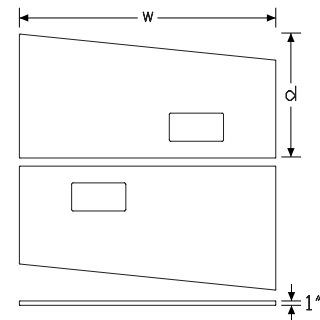
## Dimensions



Left Hand/Left Hand



Left Hand/Right Hand



Right Hand/Right Hand



# Back to Back Trapezoid Height Adjustable Bench *continued*

## Specification Information

Step 1.

**DU2T** A

Step 2. Edge

**S.** squared-edge A

**T.** thin-edge A

**E.** eased-edge A

Step 3. Width

**48** 48" wide (47" surface size) A

**54** 54" wide (53" surface size) A

**60** 60" wide (59" surface size) A

**66** 66" wide (65" surface size) A

**72** 72" wide (71" surface size) A

Step 4. Surface Material

*For squared-edge (S.)*

**L** laminate top/thermoplastic edge A

**W** veneer top/veneer edge A

**P** painted Formcoat® top/edge A

**U** laminate top/universal edge A

*For thin-edge (T.)*

**L** laminate top/thermoplastic edge A

**W** veneer top/veneer edge A

**P** painted Formcoat® top/edge A

*For eased-edge (E.)*

**P** painted Formcoat® top/edge A

Step 5. Height Adjustable Table 1

**E** electric standard range A

**D** electric extended range A

**F** fixed table A

Step 6. Height Adjustable Table 2

*For electric standard range (E)*

**E** electric standard range A

**D** electric extended range A

**F** fixed table A

*For electric extended range (D)*

**D** electric extended range A

**F** fixed table A

*For fixed table (F)*

**F** fixed table A

Step 7. Trapezoid Configuration

**A** left hand/left hand A

**B** left hand/right hand A

**C** right hand/right hand A

Prices for Steps 1-7.

	EEA	EEB	EEC	EDA	EDB	EDC
<b>DU2TS. 48 L</b>	\$6577	6577	6577	7117	7117	7117
<b>W</b>	\$7893	7893	7893	8540	8540	8540
<b>P</b>	\$6841	6841	6841	7402	7402	7402
<b>U</b>	\$6577	6577	6577	7117	7117	7117
<b>54 L</b>	\$6681	6681	6681	7264	7264	7264
<b>W</b>	\$8017	8017	8017	8718	8718	8718
<b>P</b>	\$6948	6948	6948	7555	7555	7555
<b>U</b>	\$6681	6681	6681	7264	7264	7264
<b>60 L</b>	\$6774	6774	6774	7399	7399	7399
<b>W</b>	\$8128	8128	8128	8877	8877	8877
<b>P</b>	\$7045	7045	7045	7694	7694	7694
<b>U</b>	\$6774	6774	6774	7399	7399	7399
<b>66 L</b>	\$6883	6883	6883	7560	7560	7560
<b>W</b>	\$8259	8259	8259	9072	9072	9072
<b>P</b>	\$7158	7158	7158	7863	7863	7863
<b>U</b>	\$6883	6883	6883	7560	7560	7560
<b>72 L</b>	\$6982	6982	6982	7713	7713	7713
<b>W</b>	\$8377	8377	8377	9255	9255	9255
<b>P</b>	\$7261	7261	7261	8023	8023	8023
<b>U</b>	\$6982	6982	6982	7713	7713	7713
	EFA	EFB	EFC	DDA	DDB	DDC
<b>DU2TS. 48 L</b>	\$5375	5375	5375	8481	8481	8481
<b>W</b>	\$6691	6691	6691	10178	10178	10178
<b>P</b>	\$5639	5639	5639	8822	8822	8822
<b>U</b>	\$5375	5375	5375	8481	8481	8481
<b>54 L</b>	\$5479	5479	5479	8686	8686	8686
<b>W</b>	\$6815	6815	6815	10424	10424	10424
<b>P</b>	\$5746	5746	5746	9035	9035	9035
<b>U</b>	\$5479	5479	5479	8686	8686	8686
<b>60 L</b>	\$5572	5572	5572	8877	8877	8877
<b>W</b>	\$6926	6926	6926	10653	10653	10653
<b>P</b>	\$5843	5843	5843	9233	9233	9233
<b>U</b>	\$5572	5572	5572	8877	8877	8877

Renew™ Link

# Back to Back Trapezoid Height Adjustable Bench *continued*

Renew™ Link

66 L	\$5681	5681	5681	9107	9107	9107
W	\$7057	7057	7057	10928	10928	10928
P	\$5956	5956	5956	9472	9472	9472
U	\$5681	5681	5681	9107	9107	9107
72 L	\$5780	5780	5780	9322	9322	9322
W	\$7176	7176	7176	11185	11185	11185
P	\$6059	6059	6059	9694	9694	9694
U	\$5780	5780	5780	9322	9322	9322
	<b>DFA</b>	<b>DFB</b>	<b>DFC</b>	<b>FFA</b>	<b>FFB</b>	<b>FFC</b>
DU2TS. 48 L	\$8506	8506	8506	4174	4174	4174
W	\$10447	10447	10447	5490	5490	5490
P	\$8895	8895	8895	4437	4437	4437
U	\$8506	8506	8506	4174	4174	4174
54 L	\$8739	8739	8739	4278	4278	4278
W	\$10728	10728	10728	5613	5613	5613
P	\$9138	9138	9138	4545	4545	4545
U	\$8739	8739	8739	4278	4278	4278
60 L	\$8958	8958	8958	4370	4370	4370
W	\$10989	10989	10989	5725	5725	5725
P	\$9365	9365	9365	4641	4641	4641
U	\$8958	8958	8958	4370	4370	4370
66 L	\$9220	9220	9220	4480	4480	4480
W	\$11304	11304	11304	5855	5855	5855
P	\$9638	9638	9638	4756	4756	4756
U	\$9220	9220	9220	4480	4480	4480
72 L	\$9466	9466	9466	4578	4578	4578
W	\$11599	11599	11599	5975	5975	5975
P	\$9893	9893	9893	4859	4859	4859
U	\$9466	9466	9466	4578	4578	4578
	<b>EEA</b>	<b>EEB</b>	<b>EEC</b>	<b>EDA</b>	<b>EDB</b>	<b>EDC</b>
DU2TT. 48 L	\$7136	7136	7136	7722	7722	7722
W	\$8563	8563	8563	9266	9266	9266
P	\$7423	7423	7423	8031	8031	8031
54 L	\$7249	7249	7249	7882	7882	7882
W	\$8699	8699	8699	9459	9459	9459
P	\$7540	7540	7540	8199	8199	8199
60 L	\$7349	7349	7349	8027	8027	8027
W	\$8820	8820	8820	9633	9633	9633
P	\$7644	7644	7644	8349	8349	8349
66 L	\$7468	7468	7468	8204	8204	8204
W	\$8963	8963	8963	9845	9845	9845
P	\$7767	7767	7767	8532	8532	8532
72 L	\$7575	7575	7575	8369	8369	8369
W	\$9092	9092	9092	10044	10044	10044
P	\$7880	7880	7880	8704	8704	8704

	<b>EFA</b>	<b>EFB</b>	<b>EFC</b>	<b>DDA</b>	<b>DDB</b>	<b>DDC</b>
DU2TT. 48 L	\$5935	5935	5935	9204	9204	9204
W	\$7362	7362	7362	11045	11045	11045
P	\$6221	6221	6221	9572	9572	9572
54 L	\$6047	6047	6047	9426	9426	9426
W	\$7498	7498	7498	11310	11310	11310
P	\$6338	6338	6338	9803	9803	9803
60 L	\$6148	6148	6148	9633	9633	9633
W	\$7618	7618	7618	11560	11560	11560
P	\$6442	6442	6442	10018	10018	10018
66 L	\$6267	6267	6267	9881	9881	9881
W	\$7761	7761	7761	11858	11858	11858
P	\$6567	6567	6567	10277	10277	10277
72 L	\$6374	6374	6374	10115	10115	10115
W	\$7890	7890	7890	12138	12138	12138
P	\$6678	6678	6678	10519	10519	10519
	<b>DFA</b>	<b>DFB</b>	<b>DFC</b>	<b>FFA</b>	<b>FFB</b>	<b>FFC</b>
DU2TT. 48 L	\$9332	9332	9332	4733	4733	4733
W	\$11438	11438	11438	6160	6160	6160
P	\$9753	9753	9753	5019	5019	5019
54 L	\$9585	9585	9585	4845	4845	4845
W	\$11743	11743	11743	6296	6296	6296
P	\$10017	10017	10017	5137	5137	5137
60 L	\$9823	9823	9823	4946	4946	4946
W	\$12028	12028	12028	6417	6417	6417
P	\$10263	10263	10263	5241	5241	5241
66 L	\$10107	10107	10107	5066	5066	5066
W	\$12369	12369	12369	6560	6560	6560
P	\$10560	10560	10560	5365	5365	5365
72 L	\$10374	10374	10374	5173	5173	5173
W	\$12689	12689	12689	6688	6688	6688
P	\$10837	10837	10837	5476	5476	5476
	<b>EEA</b>	<b>EEB</b>	<b>EEC</b>	<b>EDA</b>	<b>EDB</b>	<b>EDC</b>
DU2TE. 48 P	\$7184	7184	7184	7772	7772	7772
54 P	\$7296	7296	7296	7934	7934	7935
60 P	\$7398	7398	7398	8079	8079	8079
66 P	\$7516	7516	7516	8256	8256	8256
72 P	\$7624	7624	7624	8425	8425	8425
	<b>EFA</b>	<b>EFB</b>	<b>EFC</b>	<b>DDA</b>	<b>DDB</b>	<b>DDC</b>
DU2TE. 48 P	\$5982	5982	5982	9263	9263	9263
54 P	\$6094	6094	6094	9486	9486	9486
60 P	\$6196	6196	6196	9694	9694	9694
66 P	\$6315	6315	6315	9945	9945	9945
72 P	\$6423	6423	6423	10180	10180	10180

# Back to Back Trapezoid Height Adjustable Bench *continued*

	DFA	DFB	DFC	FFA	FFB	FFC
<b>DU2TE. 48 P</b>	\$9401	9401	9401	4780	4780	4780
<b>54 P</b>	\$9655	9655	9655	4893	4893	4893
<b>60 P</b>	\$9893	9893	9893	4994	4994	4994
<b>66 P</b>	\$10180	10180	10180	5113	5113	5113
<b>72 P</b>	\$10449	10449	10449	5221	5221	5221

## Step 8. Central Cable Trough

<b>ECT</b>	enhanced cable trough w/covers - data/power routing and cord management <a href="#">A</a>	+\$0
------------	---	------

## Step 9. Switch Option

For fixed table (F) with fixed table (F)

<b>SNN</b>	no control <a href="#">A</a>	+\$0
------------	------------------------------	------

For electric standard range (E) AND electric extended range (D)

		E	D	F
<b>SUD</b>	simple up down <a href="#">A</a>	+\$0	0	0
<b>SMT</b>	no switch - LO100 <a href="#">A</a>	+\$0	0	0
<b>SRM</b>	digital read out with memory <a href="#">A</a>	+\$160	320	320

## Step 10. Workstation Cord Cover/Cable Management Table 1 and 2

<b>PSC</b>	simple cable <a href="#">A</a>	+\$0
<b>PHD</b>	high density cable trough <a href="#">A</a>	+\$549

## Step 11. Power Access Cutout - Table 1 and 2

For 48" wide (47" surface size) (48), 54" wide (53" surface size) (54), 60" wide (59" surface size) (60), 66" wide (65" surface size) (66), or 72" wide (71" surface size) (72) with simple cable (PSC), or high density cable trough (PHD)

<b>NNN</b>	no cutout <a href="#">A</a>	+\$0
------------	-----------------------------	------

For 54" wide (53" surface size) (54), 60" wide (59" surface size) (60), 66" wide (65" surface size) (66), or 72" wide (71" surface size) (72) with high density cable trough (PHD)

<b>NNN</b>	no cutout <a href="#">A</a>	+\$0
<b>OAC</b>	offset center cutout for 6 port Y1425 <a href="#">A</a>	+\$45
<b>OC5</b>	offset center cutout for 5 port Y1425 <a href="#">A</a>	+\$45

## Step 12.

### Top Finish

For laminate top/thermoplastic edge (L) or laminate top/universal edge (U)

<b>76</b>	light brown walnut <a href="#">A</a>	+\$0
<b>8Q</b>	folkstone grey <a href="#">A</a>	+\$0
<b>91</b>	white <a href="#">A</a>	+\$0
<b>98</b>	studio white <a href="#">A</a>	+\$0
<b>CL</b>	cool grey neutral <a href="#">A</a>	+\$0
<b>HF</b>	inner tone light <a href="#">A</a>	+\$0
<b>HM</b>	natural maple <a href="#">A</a>	+\$0
<b>HP</b>	light anigre <a href="#">A</a>	+\$0
<b>HT</b>	inner tone <a href="#">A</a>	+\$0
<b>HX</b>	aged cherry <a href="#">A</a>	+\$0
<b>HY</b>	walnut on cherry <a href="#">A</a>	+\$0
<b>LA</b>	light ash <a href="#">A</a>	+\$0
<b>LBA</b>	clear on ash <a href="#">A</a>	+\$0
<b>LBR</b>	phantom ecru <a href="#">A</a>	+\$0
<b>LBS</b>	phantom cocoa <a href="#">A</a>	+\$0
<b>LBU</b>	medium matte walnut <a href="#">A</a>	+\$0
<b>LBV</b>	warm grey teak <a href="#">A</a>	+\$0
<b>LBW</b>	oak on ash <a href="#">A</a>	+\$0
<b>LBC</b>	walnut on ash <a href="#">A</a>	+\$0
<b>LBD</b>	dark brown walnut <a href="#">A</a>	+\$0
<b>LBE</b>	medium red walnut <a href="#">A</a>	+\$0
<b>LBF</b>	neutral twill <a href="#">A</a>	+\$0
<b>LBG</b>	sarum twill <a href="#">A</a>	+\$0
<b>LBH</b>	earthen twill <a href="#">A</a>	+\$0
<b>LBJ</b>	graphite twill <a href="#">A</a>	+\$0
<b>LBK</b>	pewter mesh <a href="#">A</a>	+\$0
<b>LBL</b>	steel mesh <a href="#">A</a>	+\$0
<b>LBM</b>	crisp linen <a href="#">A</a>	+\$0
<b>LBN</b>	classic linen <a href="#">A</a>	+\$0
<b>LBP</b>	casual linen <a href="#">A</a>	+\$0
<b>LBQ</b>	white twill <a href="#">A</a>	+\$0
<b>LU</b>	soft white <a href="#">A</a>	+\$0
<b>WL</b>	sandstone <a href="#">A</a>	+\$0
<b>WN</b>	warm grey neutral <a href="#">A</a>	+\$0

Renew™ Link

# Back to Back Trapezoid Height Adjustable Bench *continued*

Renew™ Link

## Top/Edge Finish

### For veneer top/veneer edge (W)

<b>2U</b>	light brown walnut <input type="checkbox"/>	+\$170
<b>40</b>	dark brown walnut <input type="checkbox"/>	+\$170
<b>ED</b>	aged cherry <input type="checkbox"/>	+\$170
<b>EK</b>	medium red walnut <input type="checkbox"/>	+\$170
<b>EW</b>	medium matte walnut <input type="checkbox"/>	+\$170
<b>ET</b>	clear on ash <input type="checkbox"/>	+\$170
<b>EU</b>	oak on ash <input type="checkbox"/>	+\$170
<b>EV</b>	walnut on ash <input type="checkbox"/>	+\$170
<b>UL</b>	natural maple <input type="checkbox"/>	+\$170
<b>UX</b>	walnut on cherry <input type="checkbox"/>	+\$170

## Top/Edge Finish

### For painted Formcoat® top/edge (P)

<b>8Q</b>	folkstone grey <input type="checkbox"/>	+\$0
<b>91</b>	white <input type="checkbox"/>	+\$0
<b>CL</b>	cool grey neutral <input type="checkbox"/>	+\$0
<b>LU</b>	soft white <input type="checkbox"/>	+\$0
<b>WL</b>	sandstone <input type="checkbox"/>	+\$0
<b>WN</b>	warm grey neutral <input type="checkbox"/>	+\$0

## Step 13. Edge Finish

### For laminate top/thermoplastic edge (L)

<b>76</b>	light brown walnut <input type="checkbox"/>	+\$0
<b>8Q</b>	folkstone grey <input type="checkbox"/>	+\$0
<b>91</b>	white <input type="checkbox"/>	+\$0
<b>98</b>	studio white <input type="checkbox"/>	+\$0
<b>CL</b>	cool grey neutral <input type="checkbox"/>	+\$0
<b>HF</b>	inner tone light <input type="checkbox"/>	+\$0
<b>HM</b>	natural maple <input type="checkbox"/>	+\$0
<b>HP</b>	light anigre <input type="checkbox"/>	+\$0
<b>HT</b>	inner tone <input type="checkbox"/>	+\$0
<b>HX</b>	aged cherry <input type="checkbox"/>	+\$0
<b>HY</b>	walnut on cherry <input type="checkbox"/>	+\$0
<b>LA</b>	light ash <input type="checkbox"/>	+\$0
<b>LBA</b>	clear on ash <input type="checkbox"/>	+\$0
<b>LBR</b>	phantom ecru <input type="checkbox"/>	+\$0
<b>LBS</b>	phantom cocoa <input type="checkbox"/>	+\$0
<b>LBU</b>	medium matte walnut <input type="checkbox"/>	+\$0
<b>LBV</b>	warm grey teak <input type="checkbox"/>	+\$0
<b>LBB</b>	oak on ash <input type="checkbox"/>	+\$0
<b>LBC</b>	walnut on ash <input type="checkbox"/>	+\$0
<b>LBD</b>	dark brown walnut <input type="checkbox"/>	+\$0
<b>LBE</b>	medium red walnut <input type="checkbox"/>	+\$0
<b>LBF</b>	neutral twill <input type="checkbox"/>	+\$0
<b>LBG</b>	sarum twill <input type="checkbox"/>	+\$0
<b>LBH</b>	earthen twill <input type="checkbox"/>	+\$0
<b>LBJ</b>	graphite twill <input type="checkbox"/>	+\$0
<b>LBK</b>	pewter mesh <input type="checkbox"/>	+\$0
<b>LBL</b>	steel mesh <input type="checkbox"/>	+\$0
<b>LBM</b>	crisp linen <input type="checkbox"/>	+\$0
<b>LBN</b>	classic linen <input type="checkbox"/>	+\$0
<b>LBP</b>	casual linen <input type="checkbox"/>	+\$0
<b>LBQ</b>	white twill <input type="checkbox"/>	+\$0
<b>LU</b>	soft white <input type="checkbox"/>	+\$0
<b>WL</b>	sandstone <input type="checkbox"/>	+\$0
<b>WN</b>	warm grey neutral <input type="checkbox"/>	+\$0

### For laminate top/universal edge (U)

<b>PLY</b>	plywood edge <input type="checkbox"/>	+\$50
------------	---------------------------------------	-------

# Back to Back Trapezoid Height Adjustable Bench *continued*

---

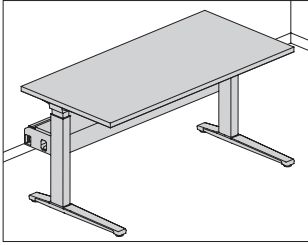
## Step 14. Base Finish

<b>8Q</b>	folkstone grey <input type="checkbox"/>	+\$0
<b>91</b>	white <input type="checkbox"/>	+\$0
<b>98</b>	studio white <input type="checkbox"/>	+\$0
<b>G2</b>	graphite satin <input type="checkbox"/>	+\$0
<b>WL</b>	sandstone <input type="checkbox"/>	+\$0
<b>WN</b>	warm grey neutral <input type="checkbox"/>	+\$0
<b>CN</b>	metallic champagne <input type="checkbox"/>	+\$0
<b>MS</b>	metallic silver <input type="checkbox"/>	+\$0

Renew™ Link

# Single Sided Rectangular Height Adjustable Bench

DU1AE.  
DU1AS.  
DU1AT.



Renew™ Link

## Product Information

### Description

This rectangular single sided bench is a 1 workstation unit that can be used in single sided height adjustable benching applications in series with other Renew™ Link single sided benches to create a run. Each workstation has a C-leg configuration, comes in multiple edge styles, and has options for laminate top with thermoplastic edge, laminate top with a thermoplastic backed plywood edge, veneer top and edge, or painted Formcoat® top and edge. There are multiple height adjustment, wire management, and switch options. Glides have 1/2" of leveling adjustment. Shipped knocked down. Product is UL Listed. Each table can be specified with a different height adjustment mechanism. Floor to top of surface height adjustment ranges are 27"-46" for the electric standard range (E) option, 22"-48" for the electric extended range (D) option, and 28 1/2" for the fixed height table (F).

### Notes

To power bench applications, specify Connect™ separately. See planning guide for details.

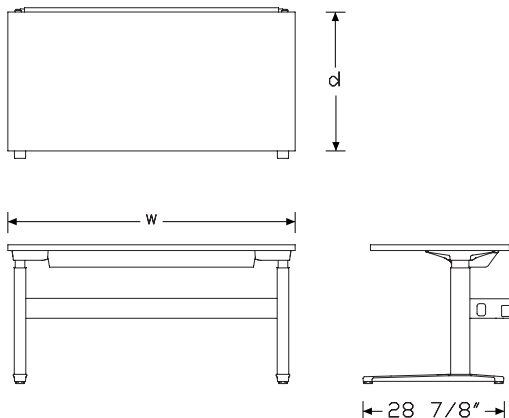
Sizes listed for table depth and width are nominal. Depth of surface is reduced 1" for cord management. Width of surface is reduced 1" to minimize possible pinch point hazards between benches.

Simple cable cover (PSC) is facility installed only.

High density cable trough (PHD) can be accessed by users for daily cord management. Available on 30" deep tables only.

Power access cutouts are specifically sized for 5 wide and 6 wide Logic G1000 grommet mounted electrical distributors (Y1425).

## Dimensions



## Specification Information

### Step 1.

**DU1A** A

### Step 2. Edge

- S.**    squared-edge A
- T.**    thin-edge A
- E.**    eased-edge A

### Step 3. Depth

- 24**    24" deep (23" surface size) A
- 30**    30" deep (29" surface size) A

### Step 4. Width

- 48**    48" wide (47" surface size) A
- 54**    54" wide (53" surface size) A
- 60**    60" wide (59" surface size) A
- 66**    66" wide (65" surface size) A
- 72**    72" wide (71" surface size) A

### Step 5. Surface Material

#### For squared-edge (S.)

- L**    laminate top/thermoplastic edge A
- W**    veneer top/veneer edge A
- P**    painted Formcoat® top/edge A
- U**    laminate top/universal edge A

#### For thin-edge (T.)

- L**    laminate top/thermoplastic edge A
- W**    veneer top/veneer edge A
- P**    painted Formcoat® top/edge A

#### For eased-edge (E.)

- P**    painted Formcoat® top/edge A

### Step 6. Height Adjustment

- E**    electric standard range A
- D**    electric extended range A
- F**    fixed table A

# Single Sided Rectangular Height Adjustable Bench *continued*

## Prices for Steps 1-6.

	LE	LD	LF	WE	WD	WF
<b>DU1AS.24 48</b>	\$3473	3643	2329	4168	4370	3023
<b>54</b>	\$3527	3699	2383	4233	4438	3089
<b>60</b>	\$3580	3754	2436	4295	4504	3151
<b>66</b>	\$3638	3867	2493	4366	4578	3221
<b>72</b>	\$3689	3905	2545	4426	4641	3282
<b>30 48</b>	\$3532	3704	2388	4239	4446	3095
<b>54</b>	\$3595	3770	2451	4314	4524	3170
<b>60</b>	\$3642	3818	2497	4370	4582	3225
<b>66</b>	\$3699	3879	2555	4438	4655	3294
<b>72</b>	\$3752	3933	2607	4501	4720	3357
	PE	PD	PF	UE	UD	UF
<b>DU1AS.24 48</b>	\$3612	3787	2468	3473	3643	2329
<b>54</b>	\$3669	3847	2524	3527	3699	2383
<b>60</b>	\$3723	3904	2579	3580	3754	2436
<b>66</b>	\$3784	3968	2640	3638	3867	2493
<b>72</b>	\$3836	4023	2692	3689	3905	2545
<b>30 48</b>	\$3674	3853	2530	3532	3704	2388
<b>54</b>	\$3740	3920	2595	3595	3770	2451
<b>60</b>	\$3788	3972	2644	3642	3818	2497
<b>66</b>	\$3848	4034	2703	3699	3879	2555
<b>72</b>	\$3902	4091	2758	3752	3933	2607
	LE	LD	LF	WE	WD	WF
<b>DU1AT.24 48</b>	\$3768	3951	2623	4522	4740	3378
<b>54</b>	\$3828	4013	2684	4594	4816	3450
<b>60</b>	\$3884	4073	2740	4662	4887	3517
<b>66</b>	\$3948	4138	2803	4737	4967	3593
<b>72</b>	\$4003	4197	2859	4804	5036	3660
<b>30 48</b>	\$3833	4019	2689	4600	4824	3456
<b>54</b>	\$3901	4091	2757	4681	4909	3537
<b>60</b>	\$3952	4144	2807	4742	4973	3598
<b>66</b>	\$4014	4209	2870	4817	5050	3673
<b>72</b>	\$4071	4268	2926	4885	5121	3741
	PE	PD	PF	UE	UD	UF
<b>DU1AT.24 48</b>	\$3918	4109	2774	—	—	—
<b>54</b>	\$3982	4174	2838	—	—	—
<b>60</b>	\$4040	4236	2896	—	—	—
<b>66</b>	\$4106	4305	2962	—	—	—
<b>72</b>	\$4164	4365	3019	—	—	—

<b>30 48</b>	\$3987	4181	2843	—	—	—
<b>54</b>	\$4057	4255	2912	—	—	—
<b>60</b>	\$4110	4309	2966	—	—	—
<b>66</b>	\$4176	4378	3032	—	—	—
<b>72</b>	\$4234	4438	3090	—	—	—
	PE	PD	PF	UE	UD	UF
<b>DU1AE.24 48</b>	\$3793	3977	2649	—	—	—
<b>54</b>	\$3854	4039	2709	—	—	—
<b>60</b>	\$3909	4100	2765	—	—	—
<b>66</b>	\$3973	4167	2828	—	—	—
<b>72</b>	\$4029	4225	2885	—	—	—
<b>30 48</b>	\$3859	4046	2714	—	—	—
<b>54</b>	\$3927	4117	2783	—	—	—
<b>60</b>	\$3977	4171	2833	—	—	—
<b>66</b>	\$4040	4236	2896	—	—	—
<b>72</b>	\$4098	4296	2954	—	—	—

### Step 7. Central Cable Trough

<b>ECT</b>	enhanced cable trough w/covers - data/power routing and cord management <b>A</b>	+\$0
------------	--	------

### Step 8. Switch Option

*For electric standard range (E) or electric extended range (D)*

<b>SUD</b>	simple up down <b>A</b>	+\$0
<b>SMT</b>	no switch - LO100 <b>A</b>	+\$0
<b>SRM</b>	digital read out with memory <b>A</b>	+\$160

*For fixed table (F)*

<b>SNN</b>	no control <b>A</b>	+\$0
------------	---------------------	------

### Step 9. Workstation Cord Cover/Cable Management

*For 24" deep (23" surface size) (24)*

<b>PSC</b>	simple cable <b>A</b>	+\$0
------------	-----------------------	------

*For 30" deep (29" surface size) (30)*

<b>PSC</b>	simple cable <b>A</b>	+\$0
<b>PHD</b>	high density cable trough <b>A</b>	+\$299

### Step 10. Power Access Cutout - Table 1 and 2

<b>NNN</b>	no cutout <b>A</b>	+\$0
------------	--------------------	------

Renew™ Link

# Single Sided Rectangular Height Adjustable Bench *continued*

Renew™ Link

*For 30" deep (29" surface size) (30) with 54" wide (53" surface size) (54) with high density cable trough (PHD)*

<b>NNN</b>	no cutout <input type="checkbox"/>	+\$0
<b>LAC</b>	left cutout 6 port Y1425 <input type="checkbox"/>	+\$45
<b>RAC</b>	right cutout 6 port Y1425 <input type="checkbox"/>	+\$45
<b>LC5</b>	left cutout 5 port Y1425 <input type="checkbox"/>	+\$45
<b>RC5</b>	right cutout 5 port Y1425 <input type="checkbox"/>	+\$45

*For 30" deep (29" surface size) (30) with 60" wide (59" surface size) (60), or 66" wide (65" surface size) (66), or 72" wide (71" surface size) (72) with high density cable trough (PHD)*

<b>NNN</b>	no cutout <input type="checkbox"/>	+\$0
<b>LAC</b>	left cutout <input type="checkbox"/>	+\$45
<b>RAC</b>	right cutout <input type="checkbox"/>	+\$45
<b>CAC</b>	center cutout <input type="checkbox"/>	+\$45
<b>LC5</b>	left cutout 5 port Y1425 <input type="checkbox"/>	+\$45
<b>RC5</b>	right cutout 5 port Y1425 <input type="checkbox"/>	+\$45
<b>CC5</b>	center cutout 5 port Y1425 <input type="checkbox"/>	+\$45

## Step 11.

### Top Finish

*For laminate top/thermoplastic edge (L) or laminate top/universal edge (U)*

<b>76</b>	light brown walnut <input type="checkbox"/>	+\$0
<b>8Q</b>	folkstone grey <input type="checkbox"/>	+\$0
<b>91</b>	white <input type="checkbox"/>	+\$0
<b>98</b>	studio white <input type="checkbox"/>	+\$0
<b>CL</b>	cool grey neutral <input type="checkbox"/>	+\$0
<b>HF</b>	inner tone light <input type="checkbox"/>	+\$0
<b>HM</b>	natural maple <input type="checkbox"/>	+\$0
<b>HP</b>	light anigre <input type="checkbox"/>	+\$0
<b>HT</b>	inner tone <input type="checkbox"/>	+\$0
<b>HX</b>	aged cherry <input type="checkbox"/>	+\$0
<b>HY</b>	walnut on cherry <input type="checkbox"/>	+\$0
<b>LA</b>	light ash <input type="checkbox"/>	+\$0
<b>LBA</b>	clear on ash <input type="checkbox"/>	+\$0
<b>LBR</b>	phantom ecru <input type="checkbox"/>	+\$0
<b>LBS</b>	phantom cocoa <input type="checkbox"/>	+\$0
<b>LBU</b>	medium matte walnut <input type="checkbox"/>	+\$0
<b>LBV</b>	warm grey teak <input type="checkbox"/>	+\$0
<b>LBB</b>	oak on ash <input type="checkbox"/>	+\$0
<b>LBC</b>	walnut on ash <input type="checkbox"/>	+\$0
<b>LBD</b>	dark brown walnut <input type="checkbox"/>	+\$0
<b>LBE</b>	medium red walnut <input type="checkbox"/>	+\$0
<b>LBF</b>	neutral twill <input type="checkbox"/>	+\$0
<b>LBG</b>	sarum twill <input type="checkbox"/>	+\$0
<b>LBH</b>	earthen twill <input type="checkbox"/>	+\$0
<b>LBJ</b>	graphite twill <input type="checkbox"/>	+\$0
<b>LBK</b>	pewter mesh <input type="checkbox"/>	+\$0
<b>LBL</b>	steel mesh <input type="checkbox"/>	+\$0
<b>LBM</b>	crisp linen <input type="checkbox"/>	+\$0
<b>LBN</b>	classic linen <input type="checkbox"/>	+\$0
<b>LBP</b>	casual linen <input type="checkbox"/>	+\$0
<b>LBQ</b>	white twill <input type="checkbox"/>	+\$0
<b>LU</b>	soft white <input type="checkbox"/>	+\$0
<b>WL</b>	sandstone <input type="checkbox"/>	+\$0
<b>WN</b>	warm grey neutral <input type="checkbox"/>	+\$0



# Single Sided Rectangular Height Adjustable Bench *continued*

## Top/Edge Finish

### For veneer top/veneer edge (W)

<b>2U</b>	light brown walnut <input type="checkbox"/>	+\$85
<b>40</b>	dark brown walnut <input type="checkbox"/>	+\$85
<b>ED</b>	aged cherry <input type="checkbox"/>	+\$85
<b>EK</b>	medium red walnut <input type="checkbox"/>	+\$85
<b>EW</b>	medium matte walnut <input type="checkbox"/>	+\$85
<b>ET</b>	clear on ash <input type="checkbox"/>	+\$85
<b>EU</b>	oak on ash <input type="checkbox"/>	+\$85
<b>EV</b>	walnut on ash <input type="checkbox"/>	+\$85
<b>UL</b>	natural maple <input type="checkbox"/>	+\$85
<b>UX</b>	walnut on cherry <input type="checkbox"/>	+\$85

## Top/Edge Finish

### For painted Formcoat® top/edge (P)

<b>8Q</b>	folkstone grey <input type="checkbox"/>	+\$0
<b>91</b>	white <input type="checkbox"/>	+\$0
<b>CL</b>	cool grey neutral <input type="checkbox"/>	+\$0
<b>LU</b>	soft white <input type="checkbox"/>	+\$0
<b>WL</b>	sandstone <input type="checkbox"/>	+\$0
<b>WN</b>	warm grey neutral <input type="checkbox"/>	+\$0

## Step 12. Edge Finish

### For laminate top/thermoplastic edge (L)

<b>76</b>	light brown walnut <input type="checkbox"/>	+\$0
<b>8Q</b>	folkstone grey <input type="checkbox"/>	+\$0
<b>91</b>	white <input type="checkbox"/>	+\$0
<b>98</b>	studio white <input type="checkbox"/>	+\$0
<b>CL</b>	cool grey neutral <input type="checkbox"/>	+\$0
<b>HF</b>	inner tone light <input type="checkbox"/>	+\$0
<b>HM</b>	natural maple <input type="checkbox"/>	+\$0
<b>HP</b>	light anigre <input type="checkbox"/>	+\$0
<b>HT</b>	inner tone <input type="checkbox"/>	+\$0
<b>HX</b>	aged cherry <input type="checkbox"/>	+\$0
<b>HY</b>	walnut on cherry <input type="checkbox"/>	+\$0
<b>LA</b>	light ash <input type="checkbox"/>	+\$0
<b>LBA</b>	clear on ash <input type="checkbox"/>	+\$0
<b>LBR</b>	phantom ecru <input type="checkbox"/>	+\$0
<b>LBS</b>	phantom cocoa <input type="checkbox"/>	+\$0
<b>LBU</b>	medium matte walnut <input type="checkbox"/>	+\$0
<b>LBV</b>	warm grey teak <input type="checkbox"/>	+\$0
<b>LBB</b>	oak on ash <input type="checkbox"/>	+\$0
<b>LBC</b>	walnut on ash <input type="checkbox"/>	+\$0
<b>LBD</b>	dark brown walnut <input type="checkbox"/>	+\$0
<b>LBE</b>	medium red walnut <input type="checkbox"/>	+\$0
<b>LBF</b>	neutral twill <input type="checkbox"/>	+\$0
<b>LBG</b>	sarum twill <input type="checkbox"/>	+\$0
<b>LBH</b>	earthen twill <input type="checkbox"/>	+\$0
<b>LBJ</b>	graphite twill <input type="checkbox"/>	+\$0
<b>LBK</b>	pewter mesh <input type="checkbox"/>	+\$0
<b>LBL</b>	steel mesh <input type="checkbox"/>	+\$0
<b>LBM</b>	crisp linen <input type="checkbox"/>	+\$0
<b>LBN</b>	classic linen <input type="checkbox"/>	+\$0
<b>LBP</b>	casual linen <input type="checkbox"/>	+\$0
<b>LBQ</b>	white twill <input type="checkbox"/>	+\$0
<b>LU</b>	soft white <input type="checkbox"/>	+\$0
<b>WL</b>	sandstone <input type="checkbox"/>	+\$0
<b>WN</b>	warm grey neutral <input type="checkbox"/>	+\$0

### For laminate top/universal edge (U)

<b>PLY</b>	plywood edge <input type="checkbox"/>	+\$50
------------	---------------------------------------	-------

Renew™ Link

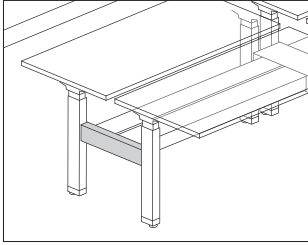
# Single Sided Rectangular Height Adjustable Bench *continued*

Step 13. Base Finish		
<b>8Q</b>	folkstone grey <input type="checkbox"/>	+\$0
<b>91</b>	white <input type="checkbox"/>	+\$0
<b>98</b>	studio white <input type="checkbox"/>	+\$0
<b>G2</b>	graphite satin <input type="checkbox"/>	+\$0
<b>WL</b>	sandstone <input type="checkbox"/>	+\$0
<b>WN</b>	warm grey neutral <input type="checkbox"/>	+\$0
<b>CN</b>	metallic champagne <input type="checkbox"/>	+\$0
<b>MS</b>	metallic silver <input type="checkbox"/>	+\$0

Renew™ Link

# Bench Cover Plate - End Caps

DU4B.  
DU4S.



### Product Information

#### Description

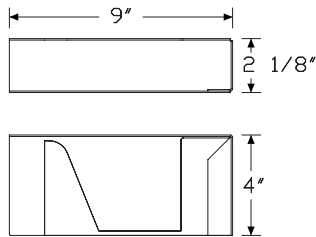
These cover plates create a clean and finished aesthetic at the end of runs. Finishes are available to match the base finishes of Renew™ Link benches. Package contains 2 end caps. Product is UL Listed.

#### Notes

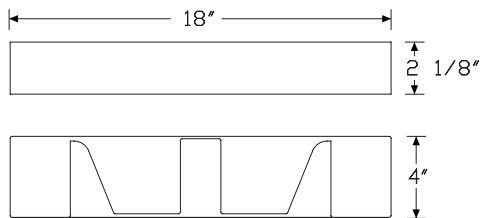
For single sided bench runs, specify single sided (DU4S.EC). For back to back bench runs, specify back to back (DU4B.EC).

Only 1 set of end caps needed per run. End caps are placed on each end of the run.

#### Dimensions



Single Sided



Back to Back

### Specification Information

#### Step 1.

**DU4**

#### Step 2. Single Sided or Back to Back

**S.** single sided

**B.** back to back

#### Step 3. Connecting Plate or End Cap

**EC** end cap - 2 per box

#### Prices for Steps 1-3.

**DU4S. EC** \$120

**DU4B. EC** \$150

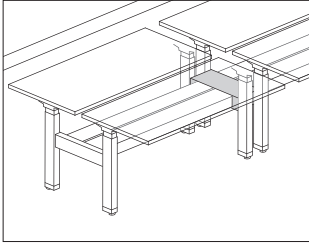
#### Step 4. Finish

<b>8Q</b>	folkstone grey	+\$0
<b>91</b>	white <input type="checkbox"/>	+\$0
<b>98</b>	studio white	+\$0
<b>G2</b>	graphite satin <input type="checkbox"/>	+\$0
<b>WL</b>	sandstone	+\$0
<b>WN</b>	warm grey neutral <input type="checkbox"/>	+\$0
<b>CN</b>	metallic champagne <input type="checkbox"/>	+\$0
<b>MS</b>	metallic silver <input type="checkbox"/>	+\$0

Renew™ Link

# Bench Cover Plate - Connecting Plate

DU4B.  
DU4S.



## Product Information

### Description

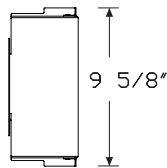
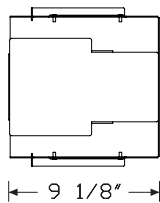
These cover plates create a clean and finished aesthetic where bench sections come together. Finishes are available to match the base finishes of Renew™ Link benches. Connecting plates come 1 per package. Product is UL Listed.

### Notes

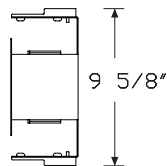
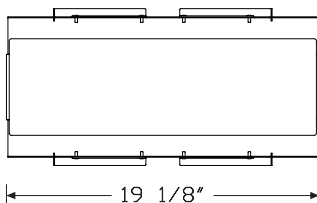
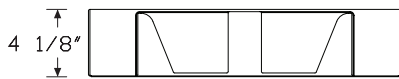
For single sided bench runs, specify single sided (DU4S.CP). For back to back bench runs, specify back to back (DU4B.CP).

Connecting plates are required to connect 1 bench section to another section. The number of connecting plates needed in a run is 1 less than the number of bench sections in the run.

### Dimensions



Single Sided



Back to Back

## Specification Information

### Step 1.

**DU4**

### Step 2. Single Sided or Back to Back

**S.** single sided

**B.** back to back

### Step 3. Connecting Plate or End Cap

**CP** connecting plate (between tables) 1x box

### Prices for Steps 1-3.

**DU4S. CP** \$150

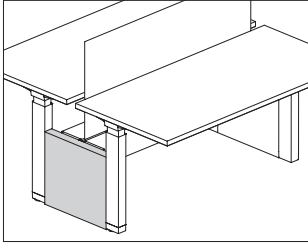
**DU4B. CP** \$170

### Step 4. Finish

<b>8Q</b>	folkstone grey	+\$0
<b>91</b>	white <input type="checkbox"/>	+\$0
<b>98</b>	studio white	+\$0
<b>CN</b>	metallic champagne <input type="checkbox"/>	+\$0
<b>G2</b>	graphite satin <input type="checkbox"/>	+\$0
<b>WL</b>	sandstone	+\$0
<b>WN</b>	warm grey neutral <input type="checkbox"/>	+\$0
<b>MS</b>	metallic silver <input type="checkbox"/>	+\$0

# Renew™ Link Back-to-Back Leg Shroud

DU4C.



## Product Information

### Description

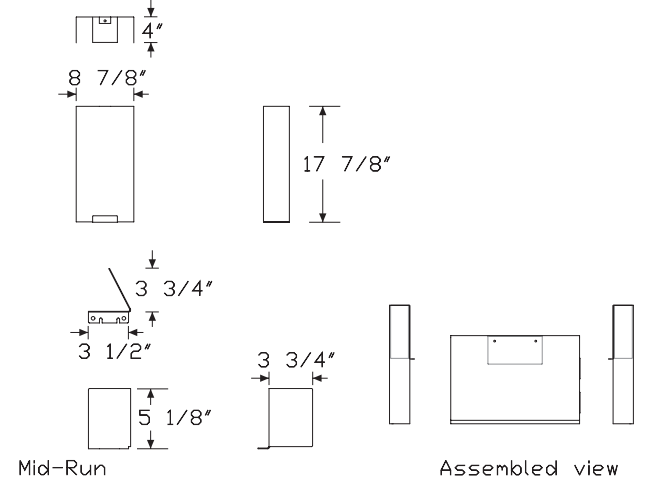
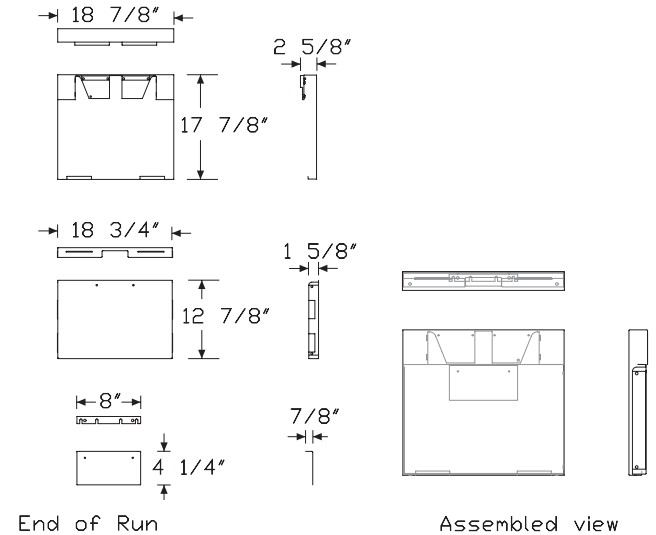
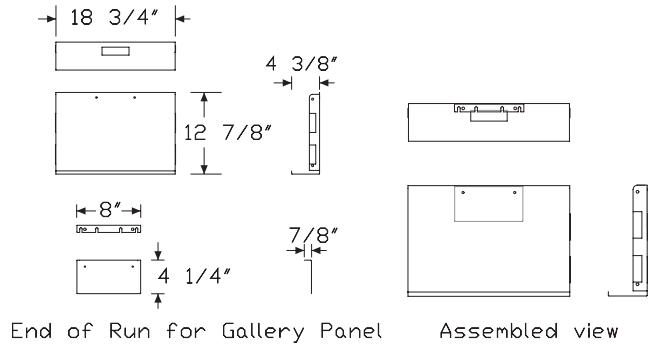
This metal shroud covers and wraps around the legs of Renew™ Link back-to-back units to create a unified and integrated leg aesthetic.

### Notes

To add shrouds to each end of a run, a quantity of 2 end-of-run shrouds must be ordered.

To add shrouds mid run, a quantity of 1 mid-run shrouds must be ordered for each connection point.

## Dimensions



# Renew™ Link Back-to-Back Leg Shroud *continued*

Renew™ Link

## Specification Information

Step 1.

**DU4C.**  A

Step 2. Location

**EG** end of run for gallery panel  A

**ER** end of run  A

**MR** mid run  A

Step 3. Material

**P** painted steel  A

Prices for Steps 1-3.

	<b>P</b>
<b>DU4C. EG</b>	\$157
<b>ER</b>	\$192
<b>MR</b>	\$314

Step 4. Height Range of Tables

*For mid run (MR)*

**D** extended  A +\$0

**E** standard and fixed  A +\$0

*For end of run for gallery panel (EG) or end of run (ER)*

**N** extended/standard/fixed  A +\$0

Step 5. Finish

**8Q** folkstone grey +\$0

**91** white  A +\$0

**98** studio white +\$0

**G2** graphite satin  A +\$0

**WL** sandstone +\$0

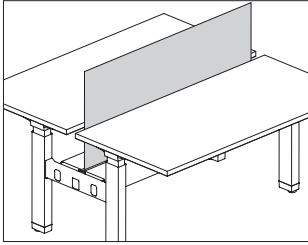
**WN** warm grey neutral  A +\$0

**CN** metallic champagne  A +\$0

**MS** metallic silver  A +\$0

# Screen, Trough Mounted

DU8E.  
DU8F.  
DU8G.  
DU8L.



## Product Information

### Description

This screen provides privacy between workstations and can create privacy and boundary from adjacent work areas. Installed height of all screen tops is 46". Screens are acrylic, tackable fabric, laminate, or glass. Attachment hardware included.

### Notes

Finishes available for acrylic screen hardware to match base finish of Renew™ Link benches.

Back to back screen (BB) to be used with back to back bench applications.

Gallery screens (BG, SG) to be used on the end of back to back or single sided bench applications, respectively, and in conjunction with end of run gallery panels (DUgR.).

For use with boundary gallery panel (DUgB.) in single sided applications, specify single sided boundary gallery screen (SG).

Screen accepts Customer's Own Material (COM). Yardage is estimated for nondirectional 54"-wide fabrics.

For vertical fabric direction (T):

Application-Width—Yardage

SG24—1.45

SG30—1.45

SB48—1.45

BG48—1.45

BB48—2.14

For horizontal fabric direction (R):

Application-Width—Yardage

SG24—0.97

SG30—1.14

SB48—1.71

SB54—1.90

SB60—2.07

SB66—2.27

SB72—2.46

BG48—1.71

BG60—2.07

BB48—3.15

BB54—3.52

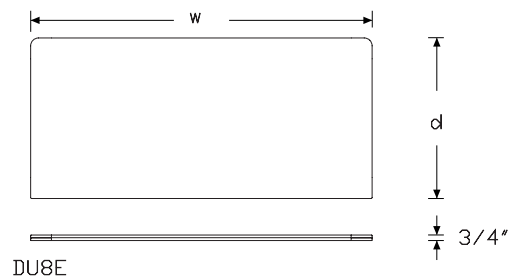
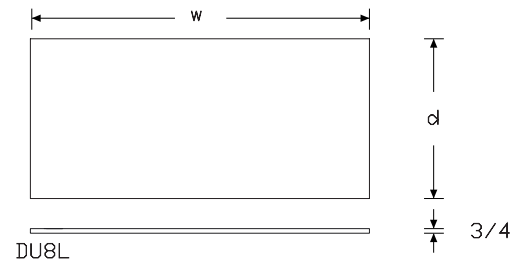
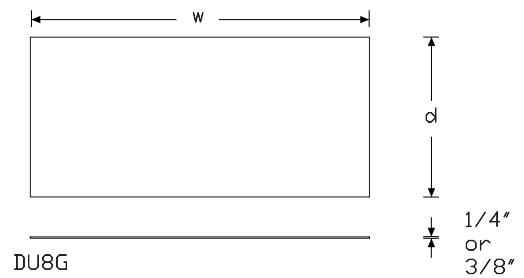
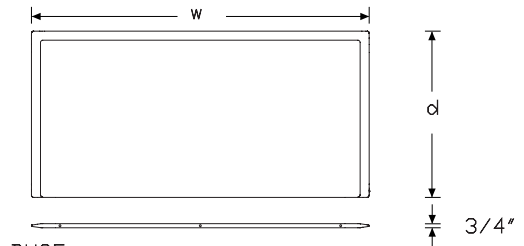
BB60—3.91

BB66—4.28

BB72—4.67

For information on multiple quantities or directional fabrics, contact COM Department. See Order Information in Appendices.

## Dimensions



Renew™ Link

**Specification Information**

Step 1.

**DU8**

Step 2. Edge

- F.** Pari fabric screen
- G.** glass
- E.** flat edge fabric screen
- L.** laminate

Step 3. Application

*For Pari fabric screen (F.) or flat edge fabric screen (E.)*

- SG** single side gallery
- SB** single side boundary
- BG** back to back gallery
- BB** back to back

*For glass (G.) or laminate (L.)*

- BB** back to back

Step 4. Width

*For single side gallery (SG)*

- 24** 24" wide
- 30** 30" wide

*For single side boundary (SB)*

- 48** 48" wide
- 54** 54" wide
- 60** 60" wide
- 66** 66" wide
- 72** 72" wide

*For back to back gallery (BG)*

- 48** 48" wide
- 60** 60" wide

*For back to back (BB)*

- 48** 48" wide
- 54** 54" wide
- 60** 60" wide
- 66** 66" wide
- 72** 72" wide

Step 5. Surface Material

*For Pari fabric screen (F.) or flat edge fabric screen (E.) with 24" wide (24), 48" wide (48), or 30" wide (30)*

- T** tackable fabric
- R** tackable fabric, horizontal

*For Pari fabric screen (F.) or flat edge fabric screen (E.) with 54" wide (54), 60" wide (60), 66" wide (66), or 72" wide (72)*

- R** tackable fabric, horizontal

*For glass (G.)*

- 5A** opal glazed - 1/4" thick
- C3** clear glass - 3/8" thick
- G3** opal glass - 3/8" thick
- N3** no glass- for customer's own glass 3/8"
- NN** no glass- for customer's own glass 1/4"
- TR** clear glass - 1/4" thick

*For laminate (L.)*

- L** laminate
- U** laminate/universal edge

Prices for Steps 1-5.

		L	U	5A	T	C3	R
<b>DU8F.</b>	<b>SG 24</b>	—	—	—	\$521	—	521
	<b>30</b>	—	—	—	\$729	—	729
	<b>SB 48</b>	—	—	—	\$781	—	781
	<b>54</b>	—	—	—	—	—	\$833
	<b>60</b>	—	—	—	—	—	\$885
	<b>66</b>	—	—	—	—	—	\$937
	<b>72</b>	—	—	—	—	—	\$1041
	<b>BG 48</b>	—	—	—	\$781	—	781
	<b>60</b>	—	—	—	—	—	\$833
	<b>BB 48</b>	—	—	—	\$1249	—	1249
	<b>54</b>	—	—	—	—	—	\$1328
	<b>60</b>	—	—	—	—	—	\$1405
	<b>66</b>	—	—	—	—	—	\$1483
	<b>72</b>	—	—	—	—	—	\$1561
		L	U	5A	T	C3	R
<b>DU8G.</b>	<b>BB 48</b>	—	—	\$859	—	1162	—
	<b>54</b>	—	—	\$985	—	1339	—
	<b>60</b>	—	—	\$1111	—	1541	—
	<b>66</b>	—	—	\$1238	—	1743	—
	<b>72</b>	—	—	\$1364	—	1919	—



Screen, Trough Mounted *continued*

	G3	N3	NN	TR
<b>DU8G. BB 48</b>	\$1515	253	253	707
54	\$1616	266	266	834
60	\$1692	278	278	960
66	\$1894	296	296	1086
72	\$2071	314	314	1212

	L	U	5A	T	C3	R
<b>DU8E. SG 24</b>	—	—	—	\$111	—	111
30	—	—	—	\$319	—	319
<b>SB 48</b>	—	—	—	\$371	—	371
54	—	—	—	—	—	\$426
60	—	—	—	—	—	\$480
66	—	—	—	—	—	\$549
72	—	—	—	—	—	\$617
<b>BG 48</b>	—	—	—	\$371	—	371
60	—	—	—	—	—	\$428
<b>BB 48</b>	—	—	—	\$839	—	839
54	—	—	—	—	—	\$920
60	—	—	—	—	—	\$1000
66	—	—	—	—	—	\$1069
72	—	—	—	—	—	\$1137

	L	U	5A	T	C3	R
<b>DU8L. BB 48</b>	\$555	555	—	—	—	—
54	\$580	580	—	—	—	—
60	\$605	605	—	—	—	—
66	\$660	660	—	—	—	—
72	\$715	715	—	—	—	—

Step 6. Hardware Color

*For Pari fabric screen (F.), flat edge fabric screen (E.), or laminate (L.)*

<b>NNN</b> none						+\$0
-----------------	--	--	--	--	--	------

*For glass (G.)*

<b>AN</b> anodized						+\$0
--------------------	--	--	--	--	--	------

Step 7. Fabric

*For Pari fabric screen (F.) AND flat edge fabric screen (E.)*

	24	48	30	54	60
Price Category E	+\$218	218	218	218	218
Price Category 1	+\$0	0	0	0	0
Price Category 2	+\$14	18	23	26	28
Price Category 3	+\$34	44	55	62	67
Price Category 4	+\$60	76	95	108	117

		66	72
Price Category E	+\$218	218	218
Price Category 1	+\$0	0	0
Price Category 2	+\$32	43	49
Price Category 3	+\$75	102	117
Price Category 4	+\$131	177	204

Step 8. Grain Direction

*For laminate (L.) with 48" wide (48), or 54" wide (54), or 60" wide (60)*

<b>VTG</b> vertical grain				+\$0
<b>HRG</b> horizontal grain				+\$0

*For laminate (L.) with 66" wide (66), or 72" wide (72)*

<b>HRG</b> horizontal grain				+\$0
-----------------------------	--	--	--	------

Renew™ Link

Screen, Trough Mounted *continued*

Renew™ Link

Step 9. Surface Finish

*For laminate (L) or laminate/universal edge (U)*

<b>76</b>	light brown walnut	+\$0
<b>8Q</b>	folkstone grey	+\$0
<b>91</b>	white	+\$0
<b>98</b>	studio white	+\$0
<b>CL</b>	cool grey neutral	+\$0
<b>HM</b>	natural maple	+\$0
<b>HP</b>	light anigre	+\$0
<b>HX</b>	aged cherry	+\$0
<b>HY</b>	walnut on cherry	+\$0
<b>LA</b>	light ash	+\$0
<b>LBA</b>	clear on ash	+\$0
<b>LBB</b>	oak on ash	+\$0
<b>LBC</b>	walnut on ash	+\$0
<b>LBD</b>	dark brown walnut	+\$0
<b>LBE</b>	medium red walnut	+\$0
<b>LBF</b>	neutral twill	+\$0
<b>LBG</b>	sarum twill	+\$0
<b>LBH</b>	earthen twill	+\$0
<b>LBJ</b>	graphite twill	+\$0
<b>LBK</b>	pewter mesh	+\$0
<b>LBL</b>	steel mesh	+\$0
<b>LBM</b>	crisp linen	+\$0
<b>LBN</b>	classic linen	+\$0
<b>LBP</b>	casual linen	+\$0
<b>LBQ</b>	white twill	+\$0
<b>LBR</b>	phantom ecru	+\$0
<b>LBS</b>	phantom cocoa	+\$0
<b>LBU</b>	medium matte walnut	+\$0
<b>LBV</b>	warm grey teak	+\$0
<b>LU</b>	soft white	+\$0
<b>WL</b>	sandstone	+\$0
<b>WN</b>	warm grey neutral	+\$0

<b>HX</b>	aged cherry	+\$0
<b>HY</b>	walnut on cherry	+\$0
<b>LA</b>	light ash	+\$0
<b>LBA</b>	clear on ash	+\$0
<b>LBR</b>	phantom ecru	+\$0
<b>LBS</b>	phantom cocoa	+\$0
<b>LBU</b>	medium matte walnut	+\$0
<b>LBV</b>	warm grey teak	+\$0
<b>LBB</b>	oak on ash	+\$0
<b>LBC</b>	walnut on ash	+\$0
<b>LBD</b>	dark brown walnut	+\$0
<b>LBE</b>	medium red walnut	+\$0
<b>LBF</b>	neutral twill	+\$0
<b>LBG</b>	sarum twill	+\$0
<b>LBH</b>	earthen twill	+\$0
<b>LBJ</b>	graphite twill	+\$0
<b>LBK</b>	pewter mesh	+\$0
<b>LBL</b>	steel mesh	+\$0
<b>LBM</b>	crisp linen	+\$0
<b>LBN</b>	classic linen	+\$0
<b>LBP</b>	casual linen	+\$0
<b>LBQ</b>	white twill	+\$0
<b>LU</b>	soft white	+\$0
<b>MT</b>	medium tone	+\$0
<b>WL</b>	sandstone	+\$0
<b>WN</b>	warm grey neutral	+\$0

*For laminate/universal edge (U)*

<b>PLY</b>	plywood edge	+\$50
------------	--------------	-------

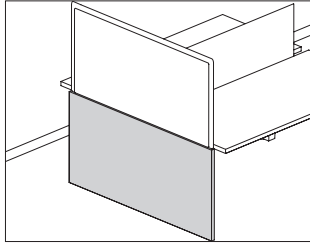
Step 10. Edge Finish

*For laminate (L)*

<b>76</b>	light brown walnut	+\$0
<b>8Q</b>	folkstone grey	+\$0
<b>91</b>	white	+\$0
<b>98</b>	studio white	+\$0
<b>BU</b>	black umber	+\$0
<b>CL</b>	cool grey neutral	+\$0
<b>HF</b>	inner tone light	+\$0
<b>HM</b>	natural maple	+\$0
<b>HP</b>	light anigre	+\$0

# Gallery Panel

DU9B.  
DU9R.



### Product Information

#### Description

This gallery panel creates a finished and polished look to end of run or single sided applications. It also creates boundary for a single sided bench and an adjacent work space or aisle. The panel is laminate with thermoplastic edge, or veneer with veneer edge. Edges are square. Glides have 1/2" of leveling adjustment.

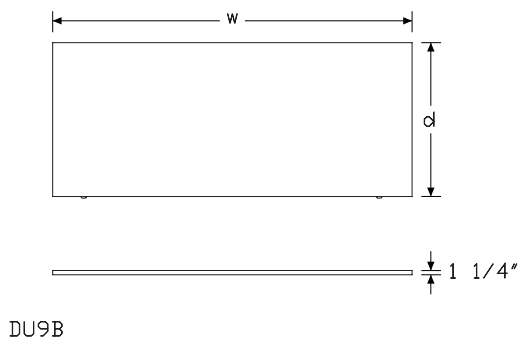
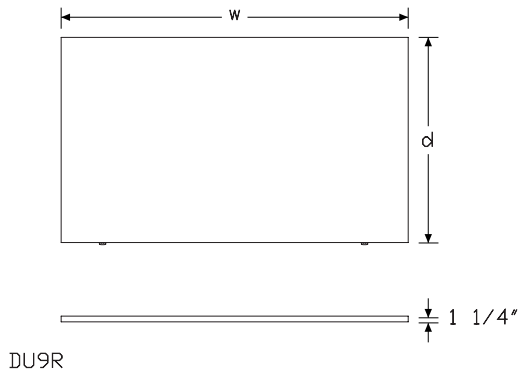
#### Notes

For end of run application, specify end of run panel (DU9R).

For single sided application on back side of work surface, specify single sided boundary panel (DU9B.).

When specifying 46"-high gallery panel, order the 17"-high fabric screen (DU8E. or DU8F.) separately.

#### Dimensions



### Specification Information

#### Step 1.

**DU9**

#### Step 2. Edge

**R.** end of run gallery panel

**B.** single sided boundary gallery panel (along back edge)

#### Step 3. Width

##### For end of run gallery panel (R.)

**24** 24" wide - front edge to back edge for single sided bench

**30** 30" wide - front edge to back edge for single sided bench

**48** 48" wide - front edge to front edge for 24" deep back to back

**60** 60" wide - front edge to front edge for 30" deep back to back

##### For single sided boundary gallery panel (along back edge) (B.)

**48** 48" wide

**54** 54" wide

**60** 60" wide

**66** 66" wide

**72** 72" wide

#### Step 4. Height

**29** 29" tall

**46** 29" tall with inserts to be used with 17" tall fabric screens (Pari or Flat Edge)

#### Step 5. Surface Material

**L** laminate top/thermoplastic edge

**W** veneer top/veneer edge

**U** laminate top/universal edge

#### Prices for Steps 1-5.

		L	W	U
<b>DU9R.</b>	<b>24 29</b>	\$227	520	227
	<b>46</b>	\$288	582	288
	<b>30 29</b>	\$300	656	300
	<b>46</b>	\$362	718	362
	<b>48 29</b>	\$477	1020	477
	<b>46</b>	\$539	1083	539
	<b>60 29</b>	\$615	1299	615
	<b>46</b>	\$681	1360	681

Renew™ Link

Renew™ Link

	L	W	U
<b>DU9B. 54 29</b>	\$560	1175	560
<b>46</b>	\$622	1236	622
<b>48 29</b>	\$477	1002	477
<b>46</b>	\$539	1064	539
<b>60 29</b>	\$615	1293	615
<b>46</b>	\$677	1354	677
<b>66 29</b>	\$708	1484	708
<b>46</b>	\$770	1546	770
<b>72 29</b>	\$786	1652	786
<b>46</b>	\$848	1713	848

Step 6.

Top Finish

*For laminate top/thermoplastic edge (L) or laminate top/universal edge (U)*

<b>76</b>	light brown walnut <input type="checkbox"/>	+\$0
<b>8Q</b>	folkstone grey <input type="checkbox"/>	+\$0
<b>91</b>	white <input type="checkbox"/>	+\$0
<b>98</b>	studio white <input type="checkbox"/>	+\$0
<b>CL</b>	cool grey neutral <input type="checkbox"/>	+\$0
<b>HF</b>	inner tone light <input type="checkbox"/>	+\$0
<b>HM</b>	natural maple <input type="checkbox"/>	+\$0
<b>HP</b>	light anigre <input type="checkbox"/>	+\$0
<b>HT</b>	inner tone <input type="checkbox"/>	+\$0
<b>HX</b>	aged cherry <input type="checkbox"/>	+\$0
<b>HY</b>	walnut on cherry <input type="checkbox"/>	+\$0
<b>LA</b>	light ash <input type="checkbox"/>	+\$0
<b>LBA</b>	clear on ash <input type="checkbox"/>	+\$0
<b>LBR</b>	phantom ecru <input type="checkbox"/>	+\$0
<b>LBS</b>	phantom cocoa <input type="checkbox"/>	+\$0
<b>LBU</b>	medium matte walnut <input type="checkbox"/>	+\$0
<b>LBV</b>	warm grey teak <input type="checkbox"/>	+\$0
<b>LBB</b>	oak on ash <input type="checkbox"/>	+\$0
<b>LBC</b>	walnut on ash <input type="checkbox"/>	+\$0
<b>LBD</b>	dark brown walnut <input type="checkbox"/>	+\$0
<b>LBE</b>	medium red walnut <input type="checkbox"/>	+\$0
<b>LBF</b>	neutral twill <input type="checkbox"/>	+\$0
<b>LBG</b>	sarum twill <input type="checkbox"/>	+\$0
<b>LBH</b>	earthen twill <input type="checkbox"/>	+\$0
<b>LBJ</b>	graphite twill <input type="checkbox"/>	+\$0
<b>LBK</b>	pewter mesh <input type="checkbox"/>	+\$0
<b>LBL</b>	steel mesh <input type="checkbox"/>	+\$0
<b>LBM</b>	crisp linen <input type="checkbox"/>	+\$0
<b>LBN</b>	classic linen <input type="checkbox"/>	+\$0
<b>LBP</b>	casual linen <input type="checkbox"/>	+\$0
<b>LBQ</b>	white twill <input type="checkbox"/>	+\$0
<b>LU</b>	soft white <input type="checkbox"/>	+\$0
<b>WL</b>	sandstone <input type="checkbox"/>	+\$0
<b>WN</b>	warm grey neutral <input type="checkbox"/>	+\$0

## Gallery Panel *continued*

### Top/Edge Finish

#### *For veneer top/veneer edge (W)*

<b>2U</b>	light brown walnut <input type="checkbox"/>	+\$85
<b>40</b>	dark brown walnut <input type="checkbox"/>	+\$85
<b>ED</b>	aged cherry <input type="checkbox"/>	+\$85
<b>EK</b>	medium red walnut <input type="checkbox"/>	+\$85
<b>EW</b>	medium matte walnut <input type="checkbox"/>	+\$85
<b>ET</b>	clear on ash <input type="checkbox"/>	+\$85
<b>EU</b>	oak on ash <input type="checkbox"/>	+\$85
<b>EV</b>	walnut on ash <input type="checkbox"/>	+\$85
<b>UL</b>	natural maple <input type="checkbox"/>	+\$85
<b>UX</b>	walnut on cherry <input type="checkbox"/>	+\$85

### Step 7. Edge Finish

#### *For laminate top/thermoplastic edge (L)*

<b>76</b>	light brown walnut <input type="checkbox"/>	+\$0
<b>8Q</b>	folkstone grey <input type="checkbox"/>	+\$0
<b>91</b>	white <input type="checkbox"/>	+\$0
<b>98</b>	studio white <input type="checkbox"/>	+\$0
<b>CL</b>	cool grey neutral <input type="checkbox"/>	+\$0
<b>HF</b>	inner tone light <input type="checkbox"/>	+\$0
<b>HM</b>	natural maple <input type="checkbox"/>	+\$0
<b>HP</b>	light anigre <input type="checkbox"/>	+\$0
<b>HT</b>	inner tone <input type="checkbox"/>	+\$0
<b>HX</b>	aged cherry <input type="checkbox"/>	+\$0
<b>HY</b>	walnut on cherry <input type="checkbox"/>	+\$0
<b>LA</b>	light ash <input type="checkbox"/>	+\$0
<b>LBA</b>	clear on ash <input type="checkbox"/>	+\$0
<b>LBB</b>	oak on ash <input type="checkbox"/>	+\$0
<b>LBC</b>	walnut on ash <input type="checkbox"/>	+\$0
<b>LBD</b>	dark brown walnut <input type="checkbox"/>	+\$0
<b>LBE</b>	medium red walnut <input type="checkbox"/>	+\$0
<b>LBF</b>	neutral twill <input type="checkbox"/>	+\$0
<b>LBG</b>	sarum twill <input type="checkbox"/>	+\$0
<b>LBH</b>	earthen twill <input type="checkbox"/>	+\$0
<b>LBJ</b>	graphite twill <input type="checkbox"/>	+\$0
<b>LBK</b>	pewter mesh <input type="checkbox"/>	+\$0
<b>LBL</b>	steel mesh <input type="checkbox"/>	+\$0
<b>LBM</b>	crisp linen <input type="checkbox"/>	+\$0
<b>LBN</b>	classic linen <input type="checkbox"/>	+\$0
<b>LBP</b>	casual linen <input type="checkbox"/>	+\$0
<b>LBQ</b>	white twill <input type="checkbox"/>	+\$0
<b>LBR</b>	phantom ecru <input type="checkbox"/>	+\$0
<b>LBS</b>	phantom cocoa <input type="checkbox"/>	+\$0
<b>LBU</b>	medium matte walnut <input type="checkbox"/>	+\$0
<b>LBV</b>	warm grey teak <input type="checkbox"/>	+\$0
<b>LU</b>	soft white <input type="checkbox"/>	+\$0
<b>WL</b>	sandstone <input type="checkbox"/>	+\$0
<b>WN</b>	warm grey neutral <input type="checkbox"/>	+\$0

#### *For laminate top/universal edge (U)*

<b>PLY</b>	plywood edge <input type="checkbox"/>	+\$50
------------	---------------------------------------	-------

Gallery Panel *continued*

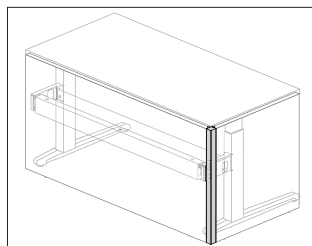
---

Step 8. Bracket Finish		
<b>8Q</b>	folkstone grey	+\$0
<b>91</b>	white <input type="checkbox"/> A	+\$0
<b>98</b>	studio white	+\$0
<b>G2</b>	graphite satin <input type="checkbox"/> A	+\$0
<b>WL</b>	sandstone	+\$0
<b>WN</b>	warm grey neutral <input type="checkbox"/> A	+\$0
<b>CN</b>	metallic champagne <input type="checkbox"/> A	+\$0
<b>MS</b>	metallic silver <input type="checkbox"/> A	+\$0

Renew™ Link

# Single Sided Gallery Panel Trim Piece

DU12.

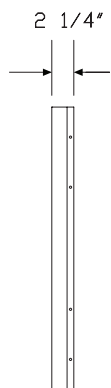
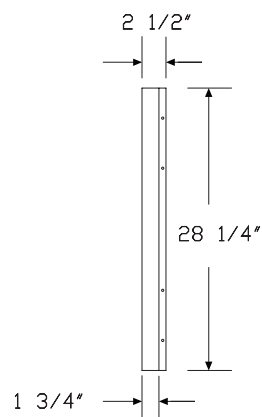
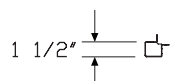


## Product Information

### Description

This painted metal trim piece fills the gap between the end-of-run gallery panel and the boundary panel attached to the rear of the workstation in single-sided applications. Package contains 1 trim piece.

### Dimensions



## Specification Information

### Step 1.

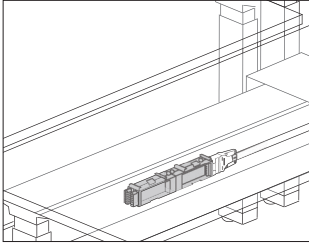
**DU12.**  \$157

### Step 2. Finish

<b>8Q</b>	folkstone grey <input type="checkbox"/>	+\$0
<b>91</b>	white <input type="checkbox"/>	+\$0
<b>98</b>	studio white <input type="checkbox"/>	+\$0
<b>CN</b>	metallic champagne <input type="checkbox"/>	+\$0
<b>G2</b>	graphite satin <input type="checkbox"/>	+\$0
<b>MS</b>	metallic silver <input type="checkbox"/>	+\$0
<b>WL</b>	sandstone <input type="checkbox"/>	+\$0
<b>WN</b>	warm grey neutral <input type="checkbox"/>	+\$0

Renew™ Link

# Connect™-Junction Block, 4-Circuit DU1358



Renew™ Link

## Product Information

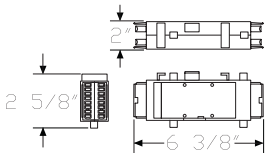
### Description

This junction block attaches to the electrical cross bar and accepts 4-circuit receptacles for access and distribution of up to 4 20-amp circuits. It has connection points at both ends for attaching a power entry, a 4-circuit power jumper, or block-to-block connector. Finish is black. It is UL Listed for use with Renew™ Link in the US and Canada. Attachment bracket and hardware included.

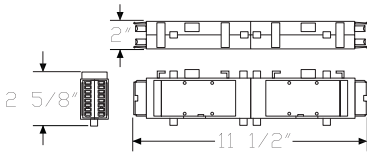
### Notes

Renew Link modular power products are only compatible with other Renew Link modular products, or with Connect™ 4-circuit modular components. Note that the UL listing for Renew Link is no longer applicable when connecting Renew Link power to Connect power. For back-to-back applications, specify the 2-duplex block (DU1358.DB) or the 1-duplex block (DU1358.SB). Order duplex receptacle, 4-circuit (DU1355.) separately. To route power from building to junction block, order 4-circuit power entry (DU1351. or DU1352.) separately. To route power between junction blocks, order junction block to junction block jumper (DU1353.) separately. To connect 2 junction blocks together, order a short block to block connector (DU1354.S) separately.

## Dimensions



Single, Back-to-Back Junction Block



Double, Back-to-Back Junction Block

## Specification Information

### Step 1.

**DU1358.** A

### Step 2. Junction Block Type

**SB** single back-to-back junction block A

**DB** double back-to-back junction block A

### Step 3. Attachment Hardware

**B** short 90° attachment to underside of surface A

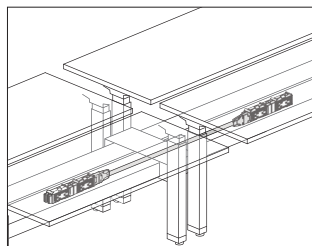
### Prices for Steps 1-3.

	<b>B</b>
<b>DU1358. SB</b>	\$122
<b>DB</b>	\$99



# Connect™-Junction Block to Junction Block Jumper, 4-Circuit

DU1353



### Product Information

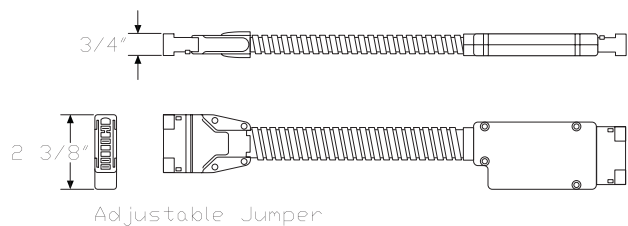
#### Description

This adjustable power jumper distributes up to 4 20-amp circuits between 2 junction blocks. One end of the jumper extends an additional 3" when connecting to an adjacent junction block. It is UL Listed for use with Renew™ Link in the US and Canada.

#### Notes

Renew Link modular power products are only compatible with other Renew Link modular products, or with Connect™ 4-circuit modular components. Note that the UL listing for Renew Link is no longer applicable when connecting Renew Link power to Connect power. Finish on 5/8" oval metallic conduit is silver.

#### Dimensions



### Specification Information

#### Step 1.

DU1353. A

#### Step 2. Width

<b>24</b>	24" wide	<span style="border: 1px solid black; padding: 0 2px;">A</span>
<b>30</b>	30" wide	<span style="border: 1px solid black; padding: 0 2px;">A</span>
<b>36</b>	36" wide	<span style="border: 1px solid black; padding: 0 2px;">A</span>
<b>42</b>	42" wide	<span style="border: 1px solid black; padding: 0 2px;">A</span>
<b>48</b>	48" wide	<span style="border: 1px solid black; padding: 0 2px;">A</span>
<b>54</b>	54" wide	<span style="border: 1px solid black; padding: 0 2px;">A</span>
<b>60</b>	60" wide	<span style="border: 1px solid black; padding: 0 2px;">A</span>

#### Step 3. Type

**A** adjustable jumper A

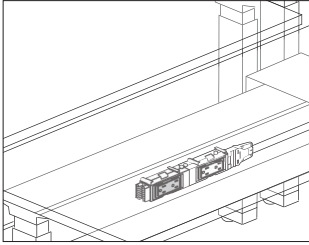
#### Prices for Steps 1-3.

	<b>A</b>
<b>DU1353. 24</b>	\$116
<b>30</b>	\$123
<b>36</b>	\$130
<b>42</b>	\$137
<b>48</b>	\$146
<b>54</b>	\$152
<b>60</b>	\$159

Renew™ Link

# Connect™-Duplex Receptacle, DU1355

## 4-Circuit



### Product Information

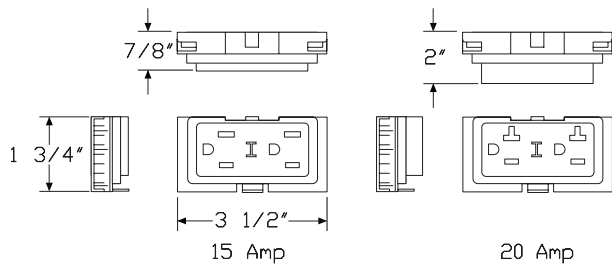
#### Description

This 15- or 20-amp duplex receptacle attaches to a junction block to provide electrical access. Finish is black. Package of 1. It is UL Listed for use with Renew™ Link in the US and Canada.

#### Notes

Renew Link modular power products are only compatible with other Renew Link modular products, or with Connect™ 4-circuit modular components. Note that the UL listing for Renew Link is no longer applicable when connecting Renew Link power to Connect power. Receptacle is labeled as I, II, III, or IV for circuit identification. Order junction block (DU1358.) separately.

### Dimensions



### Specification Information

#### Step 1.

**DU1355.**  A

#### Step 2. Amps

**15** 15 amp  A

**20** 20 amp  A

#### Step 3. Circuit

**1** circuit I  A

**2** circuit II  A

**3** circuit III  A

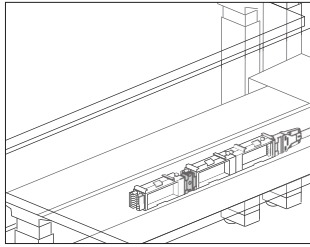
**4** circuit IV  A

#### Prices for Steps 1-3.

	1	2	3	4
<b>DU1355. 15</b>	\$31	31	31	31
<b>20</b>	\$37	37	37	37

# Connect™-Block Connector, 4-Circuit

DU1354



### Product Information

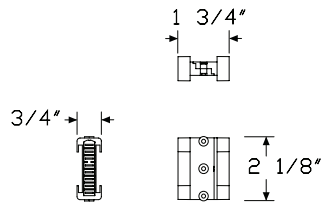
#### Description

This connector connects 2 junction blocks together. Finish is black. Attachment hardware included. It is UL Listed for use with Renew™ Link in the US and Canada.

#### Notes

Renew Link modular power products are only compatible with other Renew Link modular products, or with Connect™ 4-circuit modular components. Note that the UL listing for Renew Link is no longer applicable when connecting Renew Link power to Connect power.

#### Dimensions



Short Receptacle-to-Receptacle Block Connector

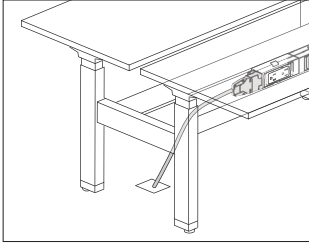
### Specification Information

#### Step 1.

DU1354.S A

\$65

# Connect™-Power Entry, 4-Circuit DU1351



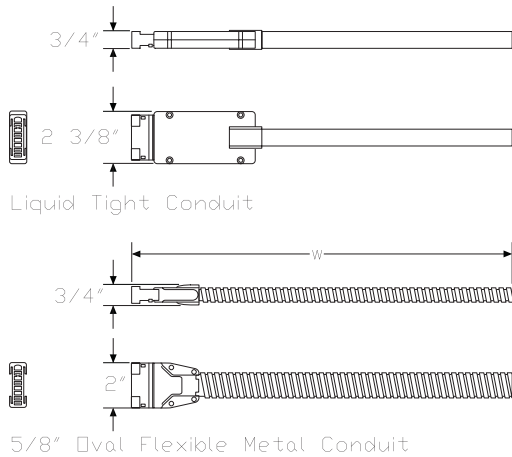
Renew™ Link

## Product Information

**Description**  
 This power entry connects a building's electrical from a wall, floor, or column to the end of a 4-circuit junction block and distributes up to 4 20-amp circuits. UL Listed for use with Renew™ Link in the US and Canada.

**Notes**  
 Renew Link modular power products are only compatible with other Renew Link modular products, or with Connect™ 4-circuit modular components. Note that the UL listing for Renew Link is no longer applicable when connecting Renew Link power to Connect power. Power entry can be field cut to the appropriate length. For San Francisco, specify 3/8" flex metallic conduit option (C). Finish color on liquid tight conduit is black. Finish color on metallic conduit is silver. A licensed electrician must wire the power entry to the building's electrical system.

## Dimensions



## Specification Information

**Step 1.**

**DU1351.** A

**Step 2. Length**

- 06** 6' long A
- 12** 12' long A
- 18** 18' long A
- 24** 24' long A

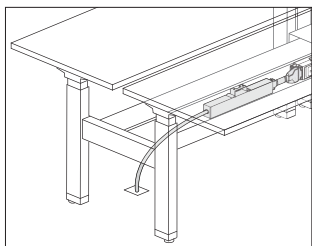
**Step 3. Conduit Type**

- L** liquid tight conduit A
- C** 3/8" flex metallic conduit A

**Prices for Steps 1-3.**

	L	C
<b>DU1351. 06</b>	\$198	198
<b>12</b>	\$284	284
<b>18</b>	\$371	371
<b>24</b>	\$474	474

# Connect™-Power Entry, 4-Circuit, DU1352 New York City



## Product Information

### Description

This power entry connects a building's electrical from a wall, floor, or column to the end of a 4-circuit junction block and distributes up to 4 20-amp circuits. It includes a junction box and harness. It is UL Listed for use with Renew™ Link in the US and Canada.

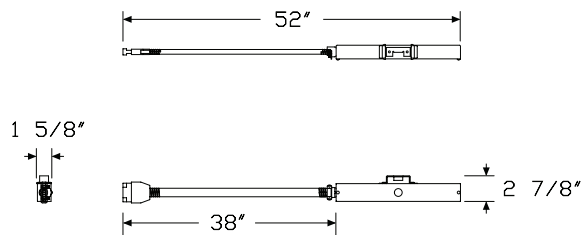
### Notes

Renew Link modular power products are only compatible with other Renew Link modular products, or with Connect™ 4-circuit modular components. Note that the UL listing for Renew Link is no longer applicable when connecting Renew Link power to Connect power.

Power entry comes with an 8" harness.

A licensed electrician must wire the power entry to the building's electrical system.

## Dimensions



## Specification Information

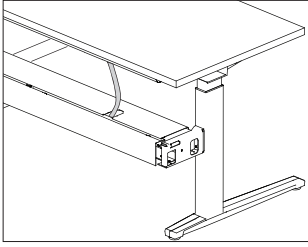
### Step 1.

**DU1352.08** [A]

\$319

# External Cable Manager

DU11B.

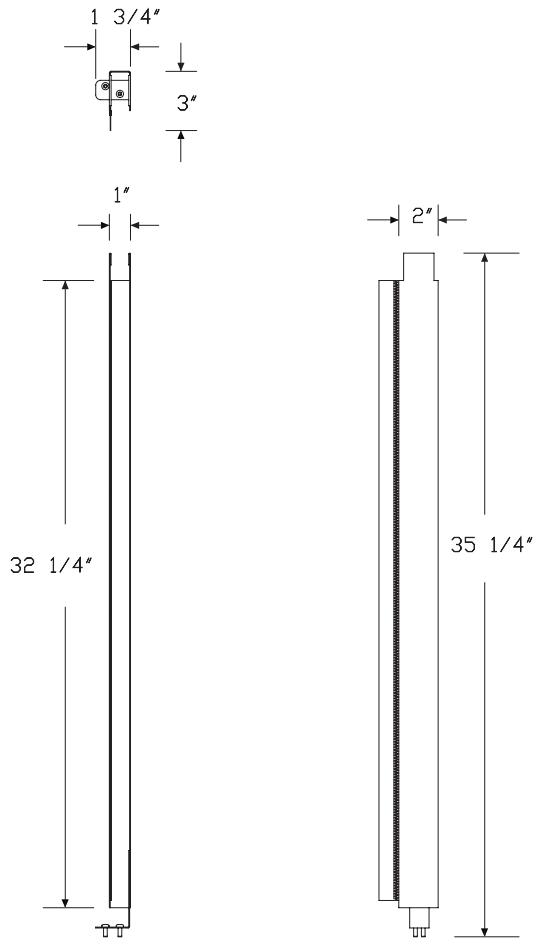


## Product Information

### Description

This cable manager is specifically designed to work with Renew™ Link. It seamlessly routes cables from the central trough up to the work surface as the surface moves up and down. 1 length fits all leg mechanism types. Installation hardware included.

### Dimensions



Renew™ Cable Manager

## Specification Information

Step 1.

**DU11** A

Step 2. Application

**B.** bench A

Prices for Steps 1-2.

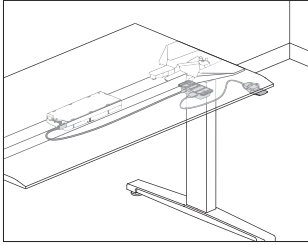
**DU11B.** \$188

Step 3. Finish

Price Category 5 + \$0

# Smart Paddle Kit

LO100.



## Product Information

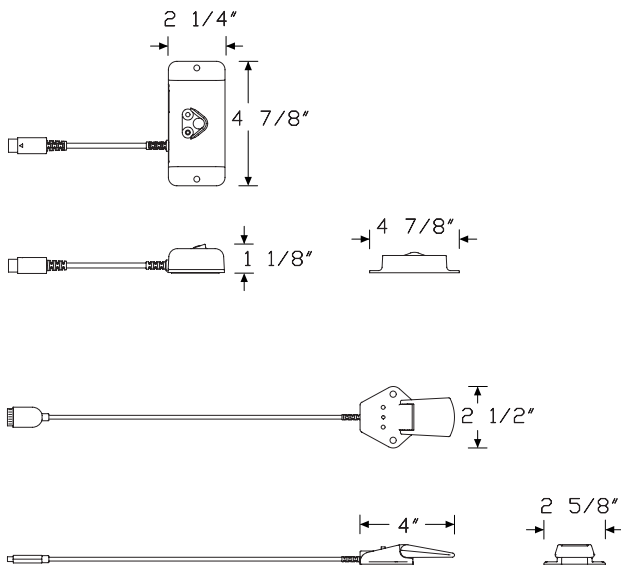
### Description

This smart paddle provides one-touch up and down controls. It communicates availability, nudges to stand or sit, and confirmation of successful pairing of a mobile device. Desk Utilization Sensor provides connection to the Gateway to sense utilization, transfer data to the cloud, and provide haptic feedback for when to stand or sit. 1 Gateway is required for every 1-200 Smart Paddle Kits.

### Notes

Kits must be mounted all on right-hand side or all on left-hand side.  
 Cannot mix right and left mounting due to BT signal strength.  
 When ordering Live OS hardware, a subscription service agreement must be signed to activate the system.  
 End user application available as free download to all users and is required to set up goals, preferences, and check-in to a desk.

### Dimensions



## Specification Information

### Step 1.

**LO100.** [A]

### Step 2. Connection

**1** plugs into Logic Data control box [A]

### Step 3. Cord Length

**06** 6' long [A]

### Prices for Steps 1-3.

<b>LO100. 1</b>	<b>06</b>
	\$140

### Step 4. Finish

<b>63</b> fog [A]	+\$0
-------------------	------

Live OS™ Enhancements





## Index by Product Name

<b>Renew™ Tables</b>	
90° Corner Table with C-Foot	page(s) 26
90° Extended Corner Table with C-Foot	21
120° Corner Table with C-Foot	30
Back to Back Rectangular Height Adjustable Bench	51
Back to Back Trapezoid Height Adjustable Bench	56
Bench Cover Plate - Connecting Plate	68
Bench Cover Plate - End Caps	67
Connect™-Block Connector, 4-Circuit	83
Connect™-Duplex Receptacle, 4-Circuit	82
Connect™-Junction Block, 4-Circuit	80
Connect™-Junction Block to Junction Block Jumper, 4-Circuit	81
Connect™-Power Entry, 4-Circuit	84
Connect™-Power Entry, 4-Circuit, New York City	85
External Cable Manager	86
Gallery Panel	75
Height Adjustable Rectangular Worksurface	37
Logic C1000 Universal Clamp Mount Distributor	45
Logic G1000 Grommet Mounted Electrical Distributor	43
Logic G1200 Grommet Pass Thru	47
Logic HD Cable Manager	48
Oval Table with T-Foot	16
Rectangle Counterbalance Table with C-Foot	34
Rectangle Table with C-Foot	5
Rectangle Table with T-Foot	11
Renew™ Link Back-to-Back Leg Shroud	69
Renew™ Obstruction Sensor Kit	49
Screen, Trough Mounted	71
Single Sided Gallery Panel Trim Piece	79
Single Sided Rectangular Height Adjustable Bench	62
Smart Paddle Kit	87
Table Base Kit - 2 Legs	41
Table Base Kit - 3 Legs	39



# Index by Product Number



DU1AE. Single Sided Rectangular Height Adjustable Bench	page(s) 62	DU1354 Connect™-Block Connector, 4-Circuit	83
DU1AS.		DU1355 Connect™-Duplex Receptacle, 4-Circuit	82
DU1AT.		DU1358 Connect™-Junction Block, 4-Circuit	80
DU2AE. Back to Back Rectangular Height Adjustable Bench	51	DUSG1. Renew™ Obstruction Sensor Kit	49
DU2AS.		DUSG2.	
DU2AT.		LO100. Smart Paddle Kit	87
DU2TE. Back to Back Trapezoid Height Adjustable Bench	56	Y1420. Logic G1200 Grommet Pass Thru	47
DU2TS.		Y1423. Logic C1000 Universal Clamp Mount Distributor	45
DU2TT.		Y1424. Logic HD Cable Manager	48
DU4B. Bench Cover Plate - Connecting Plate	68	Y1425. Logic G1000 Grommet Mounted Electrical Distributor	43
DU4B. Bench Cover Plate - End Caps	67		
DU4C. Renew™ Link Back-to-Back Leg Shroud	69		
DU4S. Bench Cover Plate - Connecting Plate	68		
DU4S. Bench Cover Plate - End Caps	67		
DU6ACE Rectangle Table with C-Foot	5		
DU6ACG Rectangle Counterbalance Table with C-Foot	34		
DU6ACS Rectangle Table with C-Foot	5		
DU6ACT			
DU6ATE Rectangle Table with T-Foot	11		
DU6ATS			
DU6ATT			
DU6DTE Oval Table with T-Foot	16		
DU6DTS			
DU6DTT			
DU6ECE 90° Extended Corner Table with C-Foot	21		
DU6ECS			
DU6ECT			
DU6FCE 90° Corner Table with C-Foot	26		
DU6FCS			
DU6FCT			
DU6GCE 120° Corner Table with C-Foot	30		
DU6GCS			
DU6GCT			
DU6WS. Height Adjustable Rectangular Worksurface	37		
DU7A. Table Base Kit - 2 Legs	41		
DU7F. Table Base Kit - 3 Legs	39		
DU8E. Screen, Trough Mounted	71		
DU8F.			
DU8G.			
DU8L.			
DU9B. Gallery Panel	75		
DU9R.			
DU11B. External Cable Manager	86		
DU12. Single Sided Gallery Panel Trim Piece	79		
DU1351 Connect™-Power Entry, 4-Circuit	84		
DU1352 Connect™-Power Entry, 4-Circuit, New York City	85		
DU1353 Connect™-Junction Block to Junction Block Jumper, 4-Circuit	81		



## 20-Day or Less/Assigned Lead-Time Order Information

### 20-Day or Less and Assigned Lead-Time Programs

20-day or less and assigned lead-time products are designed for established Herman Miller dealers with pre-approved credit.

Products are distributed from multiple manufacturing facilities across the United States. All products and options not designated by an Assigned Lead-Time icon  will ship in 20 business days or less after being acknowledged by Herman Miller. Products and options designated by an  are on the assigned lead-time program and will ship in 20 days, less than 20 days, or more than 20 days from order acknowledgement.

### Ordering Procedure

Please place orders through Order Manager. If this is not available to you, place orders through mail or fax. Verbal purchase orders will not be accepted.

Order Entry fax number for Passage®, 5000 Series, and Meridian® Filing and Storage: (616) 846 9236.

Order Entry fax number for all other products:  
(616) 654 3085.

For more information, contact your Customer Care representative at:  
(866) 854 3048 EXT 3400.

### Shipments and Delivery

Per Herman Miller Terms and Conditions.

### Changes and Cancellation

Per Herman Miller Terms and Conditions.



# Vary Easy Program

## Program Overview

Vary Easy is a program designed to help dealers specify standard products with a larger breadth of options. For example, depending on the type of product being specified, choices include additional size, finish, edge types, and cable management features. Vary Easy 3D, specIT, and third-party text-based specification packages support the Vary Easy program. Vary Easy 3D enables designers to create a 3D image, CAD symbols, and a price book page. A Vary Easy product number is assigned for each product as the user selects specific options. Once the product is completely specified, the order can be submitted via Kiosk's Order Manager or a dealer's business system.

## Accessing and Specifying Vary Easy

To view the full product vocabulary, go to the Vary Easy Product Offering on Kiosk. To specify Vary Easy, go to the Vary Easy 3D website on Kiosk, specIT, or your third-party text-based specification package.

Once you've made your product line selection, continue to follow through each option and enter the specific options that represent the product you need. When the product is fully specified, Vary Easy will generate an orderable product number and instantly calculate a price.

*Note: Failure to completely specify a product will cause a delay in order acknowledgements. Be sure to make a selection for all options offered.*

The acknowledgement process for Vary Easy products is the same as for any standard order. Vary Easy products ship with a standardized lead time and are competitively priced.

For more information, contact your Customer Care Line at (866) 854 3048 EXT 3400.

# Stain-to-Match Program

## Stain-to-Match Program

### Program Overview

The Stain-to-Match program gives you the option of using veneer finishes that are not listed in the standard offering. The program allows Herman Miller to match a customer's existing recut or natural veneer, or create a new finish that is unique to an installation.

Specific information on approval, ordering, pricing, and warranty for the Stain-to-Match program is listed below. Questions and requests for assistance may be directed to Herman Miller Options at:

(800) 654 3910

### Stain-to-Match Process

1. Fill out the Options Stain-to-Match Request Form and send along with a color sample (2" x 3" minimum) to the Herman Miller Options Applications Team at the address provided on the form. The form can be found on Omni.
2. Within 7-10 working days, Herman Miller Options will send a sample of the color-matched stain on Herman Miller veneer to the requester for the customer's signed approval.
3. If the sample meets the customer's approval, sign the reverse side of the sample, scan and email the approval to:  
options@hermanmiller.com.
4. After the stain has been approved, a formal quotation with special number and pricing can be provided, or the product can be specified through the Vary Easy program, if available. Work with the Options team on final product needs and how to specify.
5. A purchase order can then be placed.

## Stain-to-Match Warranty

Herman Miller warrants its products to be free from defects in craftsmanship from the date of delivery for the applicable warranty period. Herman Miller is responsible for the physical properties of the veneers available through the Stain-to-Match program, which include:

- STA: Stain-to-Match on Recut Ash
- STB: Stain-to-Match on Beech
- STC: Stain-to-Match on Cherry
- STD: Stain-to-Match on Oak
- STK: Stain-to-Match on Reltech Anigre (Geiger)
- STM: Stain-to-Match on Recut Mahogany
- STP: Stain-to-Match on Maple
- STU: Stain-to-Match on Walnut (Geiger)

See your specification tool for product specific finish offering limitations.



# Customer's Own Material Order Information — Workspaces

## Customer's Own Material

### Program Overview

The Customer's Own Material (COM) program gives you the option of using textiles other than those listed. Herman Miller will test textiles for application to Herman Miller products and will process orders for those with approved COM textiles only. COM textiles are on assigned lead times.

Omni lists an overview of fabrics that have been tested and indicates whether or not they were approved for application to Herman Miller products.

Specific information on the terms and conditions, testing, approval, and ordering process for COM is listed below. Questions about the COM program and requests for assistance may be directed to your COM representative at:

(616) 654 3400

(866) 854 3048 EXT 6543400

### Customer's Own Material Warranty

Herman Miller does not warrant COM textiles. COM textiles are tested for application only; they are not tested for performance. The Herman Miller warranty does apply to the underlying products.

Suppliers of COM textiles are responsible for color consistency within commercial tolerances, UV stability, and resistance to soiling and perspiration.

### Customer's Own Material Pricing

COM is a Category 1 fabric. There are no application charges for COM fabrics.

Ordering and payment for COM textile yardage are the responsibility of the customer and the textile supplier.

If desired, Herman Miller will purchase COM textiles directly from True Textiles, C.F. Stinson, Luna Textiles, Maharam, and Momentum Textiles to simplify ordering and shipment. For this service, refer to the Supplier Connection program.

### Application Note

Herman Miller does not guarantee that Customer's Own Material (COM) fabric patterns will align across panels/tiles or from one screen to the next. We also do not guarantee that COM fabric designs will be positioned consistently in the same location across several panels, tiles, or screens.

### Textile Approval

1. Select a COM textile and a Herman Miller product.
2. If your textile is not listed in Omni, obtain a test number from a COM representative at (616) 654 3400. You can also submit your request within Omni. Please have the following information ready before calling: textile name, number, pattern, and the product you will apply it to.
3. Herman Miller will notify you of approval or disapproval within 4 days from receipt of the test yardage.

### Ordering Products with COM

1. Refer to the specific products to determine the yardage required for COM textiles.
2. If your textile is not listed in Omni, call a COM representative at (616) 654 3400 or (866) 854 3048 EXT 6543400. The representative will assign an identification number for your textile (ID#) and will verify yardage requirements for your order.

*Note: Yardage requirements are based on nondirectional, 54"-wide textiles. 66"-wide textiles are needed for application on 60"-wide products. Additional yardage may be needed due to the unique characteristics of a textile.*

3. Enter your order on Order Manager in Omni.
4. Upon receipt of your purchase order, Herman Miller will send you a PO acknowledgment.
5. Arrangements must be made for the textiles to be shipped from the supplier to Herman Miller for application to the Herman Miller products. Textiles must be tagged with the assigned identification number and the roll yardage quantity. See Omni for shipping procedures and current shipping addresses or contact a COM representative at (616) 654 3400 or (866) 854 3048 EXT 6543400.

Products will be scheduled for production when COM textiles are received at Herman Miller. Standard lead times in effect at that time will apply.

*Note: If textiles are to be purchased directly by Herman Miller through the Supplier Connection program, Herman Miller will handle the ordering and shipping process and will schedule your order for production upon receipt of your purchase order (dependent on textile availability). Refer to the Supplier Connection program for more information.*

# Customer's Own Material Order Information — Workspaces

*continued*

## Supplier Connection

### Program Overview

The Supplier Connection program is a service offered by Herman Miller to purchase approved COM textiles directly from True Textiles, C.F. Stinson, Luna Textiles, Maharam, and Momentum Textiles. When you select a textile through this program, Herman Miller will facilitate the ordering, scheduling, and shipment of the textile directly with the supplier.

Suppliers included in the Supplier Connection program keep an active inventory of textiles that are pre-approved for application to Herman Miller products. Pre-approval applies only to the suitability of a textile for manufacturing and application to a Herman Miller product. Omni provides an overview of fabrics that have been tested and indicates whether or not they were approved for application to Herman Miller products.

Specific information on the terms and conditions, testing, approval, and ordering process for the Supplier Connection program is listed below. Questions and requests for assistance may be directed to your COM representative at:

(616) 654 3400

(866) 854 3048 EXT 6543400

### Supplier Connection Warranty

Textiles purchased by Herman Miller through the Supplier Connection program are COM and are not warranted by Herman Miller. COM textiles are tested for application only; they are not tested for performance. The Herman Miller warranty does apply to the underlying products.

Suppliers of COM textiles are responsible for color consistency within commercial tolerances, UV stability, and resistance to soiling and perspiration.

### Supplier Connection Pricing

Textiles purchased by Herman Miller through the Supplier Connection program are COM. COM is a Category 1 fabric. There are no application charges for COM fabrics.

Payment for textiles purchased by Herman Miller through the Supplier Connection program is the responsibility of the customer or dealer. Herman Miller will invoice the order at the supplier's prices published at the time of the order.

### Textile Approval

1. Refer to Omni to identify the approval status of the textile. If your textile is not listed, contact the COM Department to request testing for application to Herman Miller products.
2. Herman Miller will notify you of approval or disapproval in approximately 4 days from receipt of the test yardage. If the textile is approved, it will be assigned a COM identification number.

### Ordering Products with Supplier Connection COM

1. Identify and include the following information on your purchase order:
  - Product number and option
  - Herman Miller's COM identification number
2. Enter your order on Order Manager in Omni.
3. Upon receipt of the purchase order, Herman Miller will process your order and send you a PO acknowledgment. Herman Miller will determine the yardage required to produce your product and will order and schedule for delivery the required textile. Standard lead times in effect at the time the textile is allocated at the supplier will apply to products ordered through this program.



For more information about our products and services or to see a list of dealers, please visit us at [HermanMiller.com](http://HermanMiller.com) or call (800) 851 1196.

© 2018 Herman Miller, Inc., Zeeland, Michigan

® **HermanMiller**, 3D Intelligent, AO, Action Office, Aeron, ArcSpan, Aside, Avall, Avive, Bubble Lamps, Canvas Office Landscape, Caper, Celle, Co/Struc, Daisiyone, Distil, Eames, Eco-Dematerialized, Embody, Envelop, Equa 2, Ergon 3, Ethospace, Exclave, Fine-Tune, FlexFront, Flo, Formcoat, Formwork, Ground Cloth, Herman Miller for the Home, Herman Miller for Healthcare, Intersect, Kinemat, Lapjack, Layout Studio, Lifework, Limerick, Live Unframed, Living Office, Locale, Maharam, Meridian, Mirra, Passage, Pellicle, Perspectives, PostureFit, Public Office Landscape, Resolve, Rodney, Sayl, Setu, Thrive, Tu, Wishbone, and Y-Tower are among the registered trademarks of Herman Miller, Inc., and its owned subsidiaries.

™ 8Z Pellicle, About Face, AireWeave, Albert, Backfit, Bubbletack, Burdick Group, Butterfly Back, Celeste, Cellular Suspension, Clam, Compass, Connect, Cosm, Cubert, DOT, Duracare, Durawrap, Eames Soft Pad, EnhancedAccess, Everywhere, Flex-Edge, Flute, Harmonic, Herman Miller Select, Hopsak 2, Intent, Iota, Jaw, Keyless Entry, Keyn Chair Group by Herman Miller, Latitude, Lino, Locale, Logic Mini, Logic Power Access Solutions, Live OS, Loop, Lyris, Lyris 2, Made-to-Measure Storage, Metaform Portfolio, Mora, Motia, Multiscrim, Nelson, Pari, Pixelated Support, Plex, PostureFit SL, Prospect, Q, Renew, Sense, Soft Pad, Stackable, Stackable Storage, Striad, Swoop, Tone, TriFlex, Twist, Ubi, Verus and Wireframe are among the trademarks of Herman Miller, Inc., and its owned subsidiaries.

SM Herman Miller Options is among the service marks of Herman Miller, Inc.

Alexander Girard® is a registered trademark of The Alexander Girard Estate.

Chemsurf® is a registered trademark of Wilsonart International.

Corian® is a registered trademark of E. I. du Pont de Nemours and Company Corporation.

Crypton® is a registered trademark of Crypton, Inc.

DACRON® is a registered trademark of INVISTA S.a r.l.

Edelman® Leather is a registered trademark of Edelman Leather, Inc.

FENIX NTM® is a registered trademark of Arpa Industriale S.p.A.

FLEXNET™ is a trademark of Milliken & Company.

Floor Saver Glide® is a registered trademark of Carpin Manufacturing, Inc.

Geiger® is a registered trademark, and Bumper™, Saiba™, and Ward Bennett™ are trademarks, of Geiger International.

Goetz™ is a trademark of Mark W. Goetz.

Hang-It-All® is a registered trademark of Lucia Eames Demetrios, d.b.a. Eames Office.

Holophane® is a registered trademark of Holophane.

Ingeo™ is a trademark of Cargill Dow LLC.

iPad® is a registered trademark of Apple, Inc.

LifeSize® is a registered trademark of LifeSize Communications, Inc.

Magis®, Bombo®, and Me Too® are registered trademarks of Magis S.p.A.

Microsoft® and Natural® Keyboard are registered trademarks of Microsoft Corporation.

Noguchi® and the Noguchi table configuration (trade dress) are registered trademarks, and Rudder Table™ is a trademark, of The Isamu Noguchi Foundation and Garden Museum.

Place Textiles® is a registered trademark of Place Textiles.

SuperSeat™ is a trademark of Dahti Seating, a division of ITW.